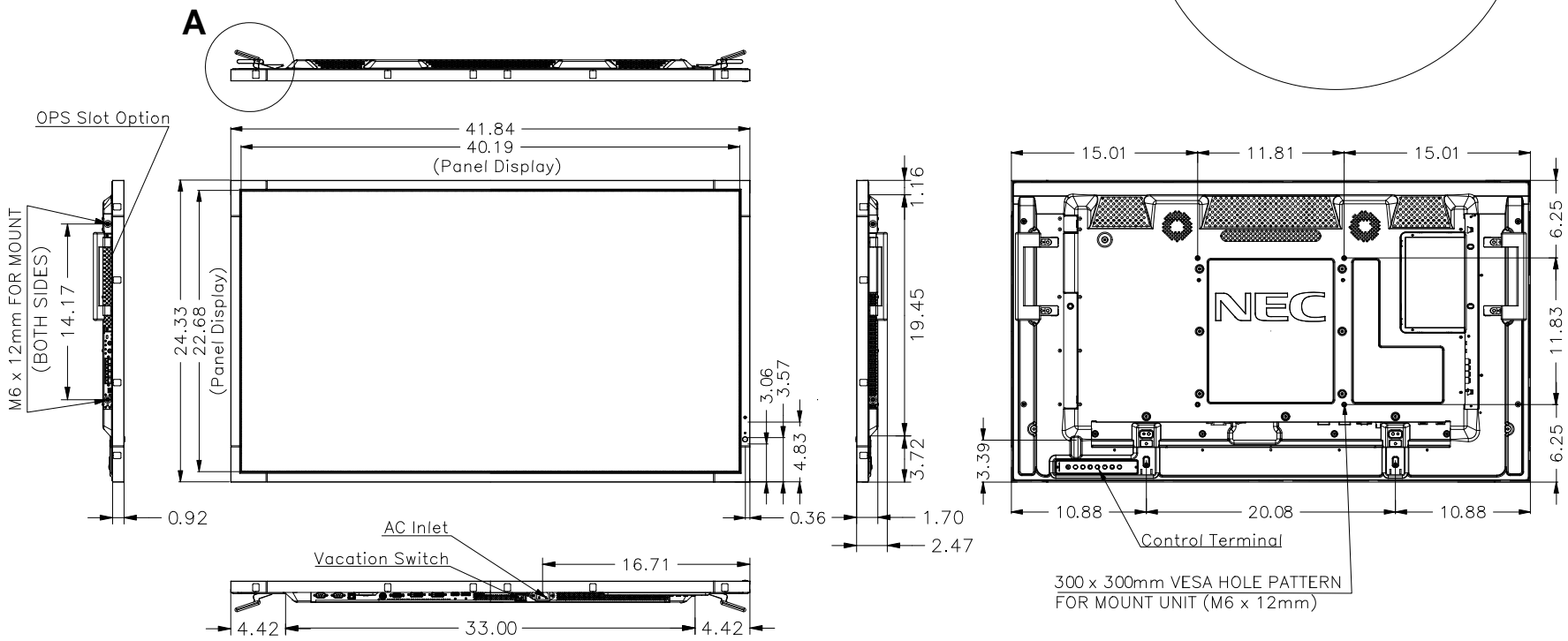
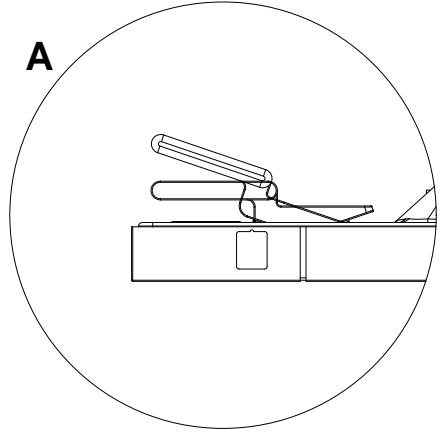


HANDLE CAN BE SET IN 2 POSITIONS



THE INFORMATION AND DESIGNS CONTAINED IN THIS DRAWING ARE CONFIDENTIAL AND THE PROPRIETARY PROPERTY OF NEC DISPLAY SOLUTIONS. NEITHER THIS DESIGN NOR ANY INFORMATION CONTAINED IN THIS DRAWING MAY BE REPRODUCED OR DISCLOSED TO OTHERS WITHOUT THE EXPRESS WRITTEN CONSENT OF NEC DISPLAY SOLUTIONS. DISTANCES MAY VARY UP TO 5%.

Model: X461S
 Scale: 1:1
 Unit: Inches

NEC
 500 Park Boulevard, Suite 1100
 Itasca, IL 60143
 Telephone: (630) 467-3000