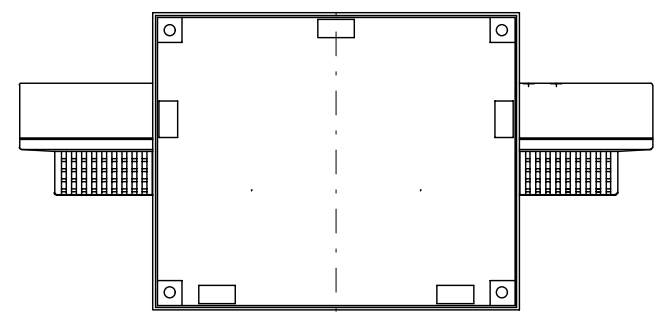
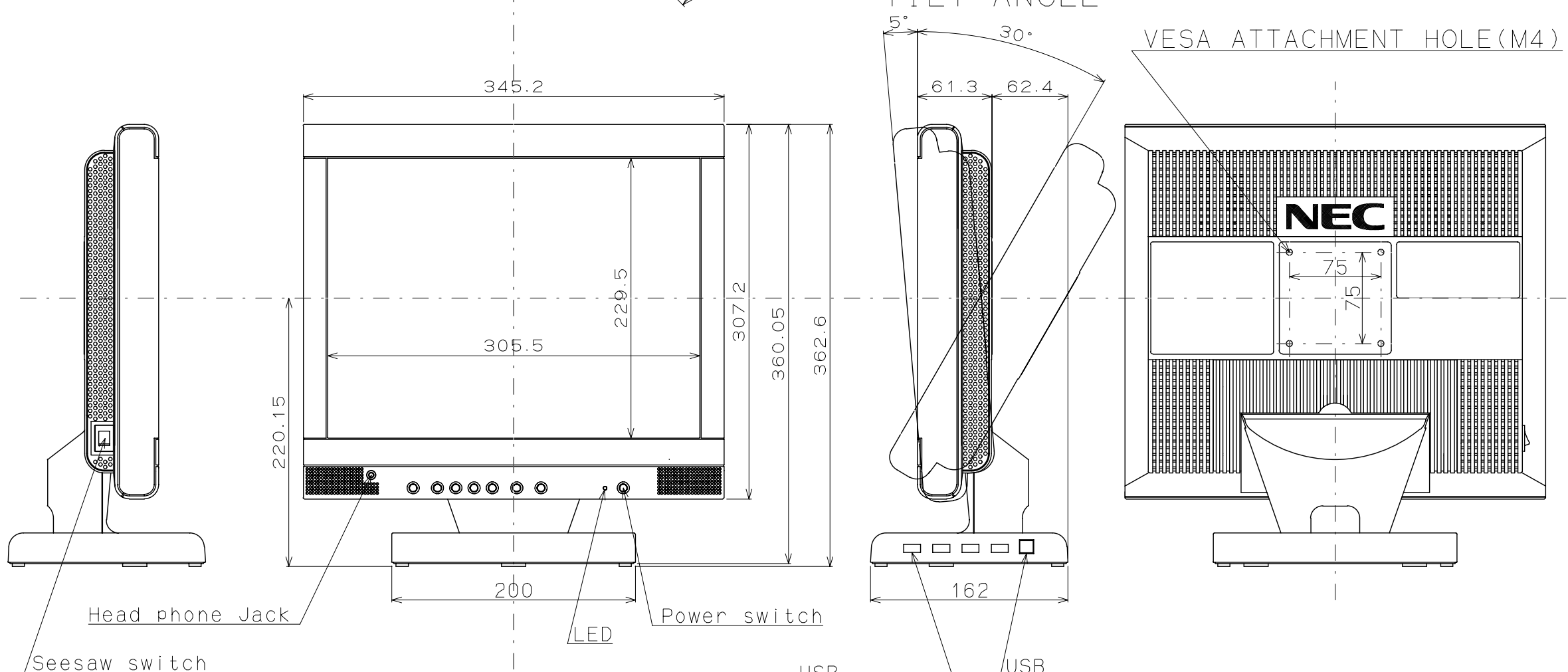
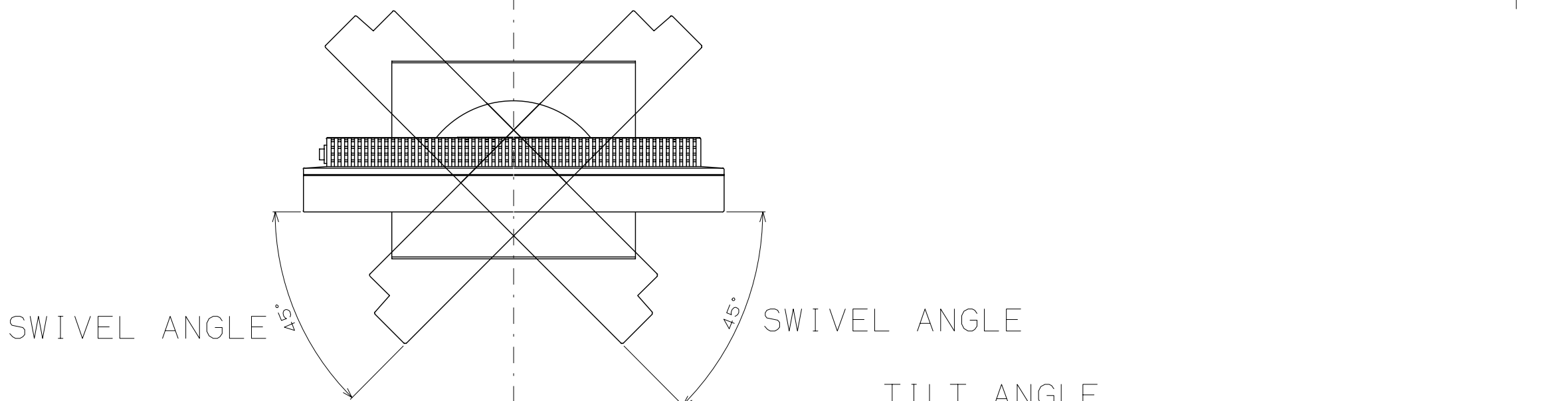


REV	DESCRIPTION	APPD
1	2001.4.	—



UNLESS OTHERWISE SPECIFIED, ALL TOLERANCES TO BE IN ACCORDANCE WITH NEC STD
 THIRD ANGLE PROJECTION SCALE 1/4

MODEL	CN041/CX041
ASSY	
UNITS	

MATERIAL		DIMENSIONS			FINISH	
ENGINEER	ENG. APPD	DRAWN	CHECKED	APPROVED		

LCD1550M
 Outside drawing

フィルム
AP ROLL
整理期限
整理番号