

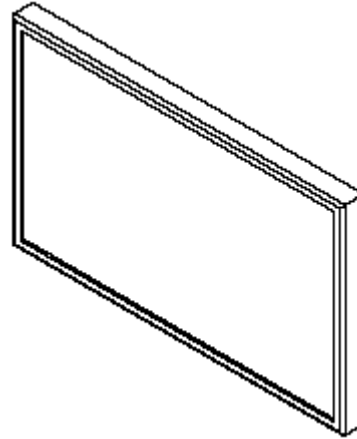
X461S Installation Guide

46" LCD Display

Rev 1.0

Contents:

Product Description and Notes	Page 1
Tilt Angle and Rotation	Page 1
Ventilation Requirements	Page 2
Display Dimensions	Page 3
Display Dimensions	Page 4
Optional Table Top Stand Dimensions	Page 5
Dimensions with Optional Wall Mount (WMK-4655S)	Page 6
Dimensions of Optional Wall Mount (WMK-4655S)	Page 7
Input Terminals	Page 8
Control Codes	Page 9



Product Description

Type: LCD Display
 Resolution: 1920 x 1080
 Aspect Ratio: 16:9
 FCC: Class A
 Power Consumption: 135W (typ)
 BTU's: 460.64 BTU/hour

Screen Surface: Anti-Reflective
 Dimensions without stand: 41.8"(W) x 24.3"(H) x 1.7"(D)
 Dimensions with stand: 41.8"(W) x 26.2"(H) x 13.0" (D)
 Weight without stand: 41.7 lbs / 18.9 kg
 Weight with stand: 45.6 lbs / 20.7 kg
 Built-In Speaker

NOTES:

- This document is intended to be used as a reference guide to supply useful information for a design or installation. It is not intended to be a step-by-step procedure for installation.
- Any ceilings or walls must be strong enough to support the monitor and the installation must be in accordance with any local building codes. All mounts should make secure contact to wood studs.
- 4:3 sources can be displayed on the 16:9 screen in either normal aspect ratio with bars on the left or right, or stretched horizontally to fill the screen using the menus (see "Aspect Modes" in menus and user manual).
- Distances are in inches, for millimeters multiply by 25.4.

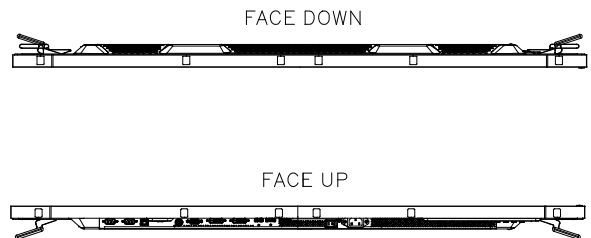
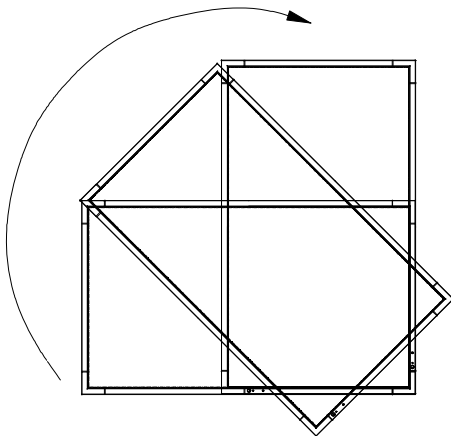
Tilt Angle and Rotation

Monitor may be angled and rotated from normal landscape and portrait orientation to both face up and face down positioning. When orientated in face up or face down position, operating temperature for the unit changes. Rotate only clockwise for portrait orientation.

Operating Temperatures:

- Landscape: 5-40° Celsius; 41-104° Fahrenheit
- Portrait: 5-40° Celsius; 41-104° Fahrenheit

Face Up: 5-35° Celsius; 41-95° Fahrenheit
 Face Down: 5-35° Celsius; 41-95° Fahrenheit



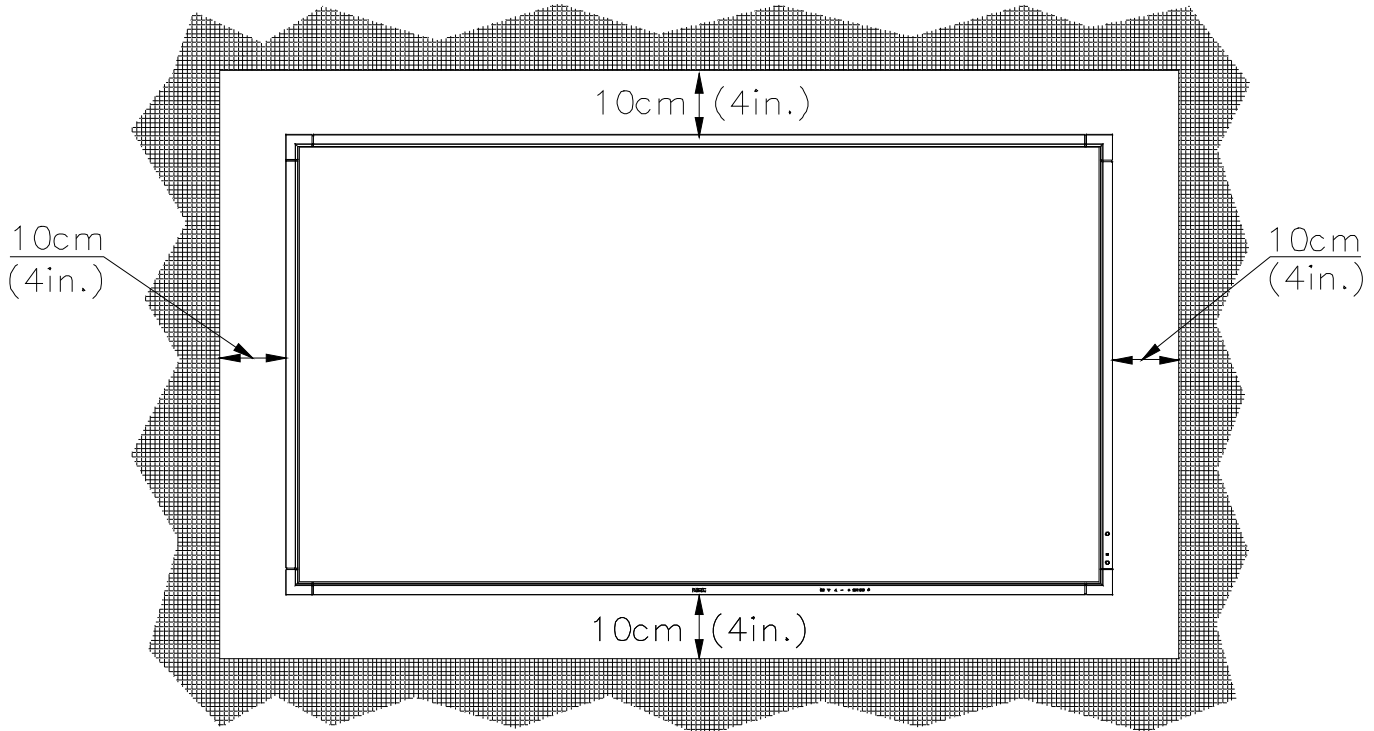
X461S Installation Guide

46" LCD Display

Rev 1.0

Ventilation Recommendations:

Dimensions below are minimum recommended for proper ventilation when the unit is in a recessed area.



NOTE:

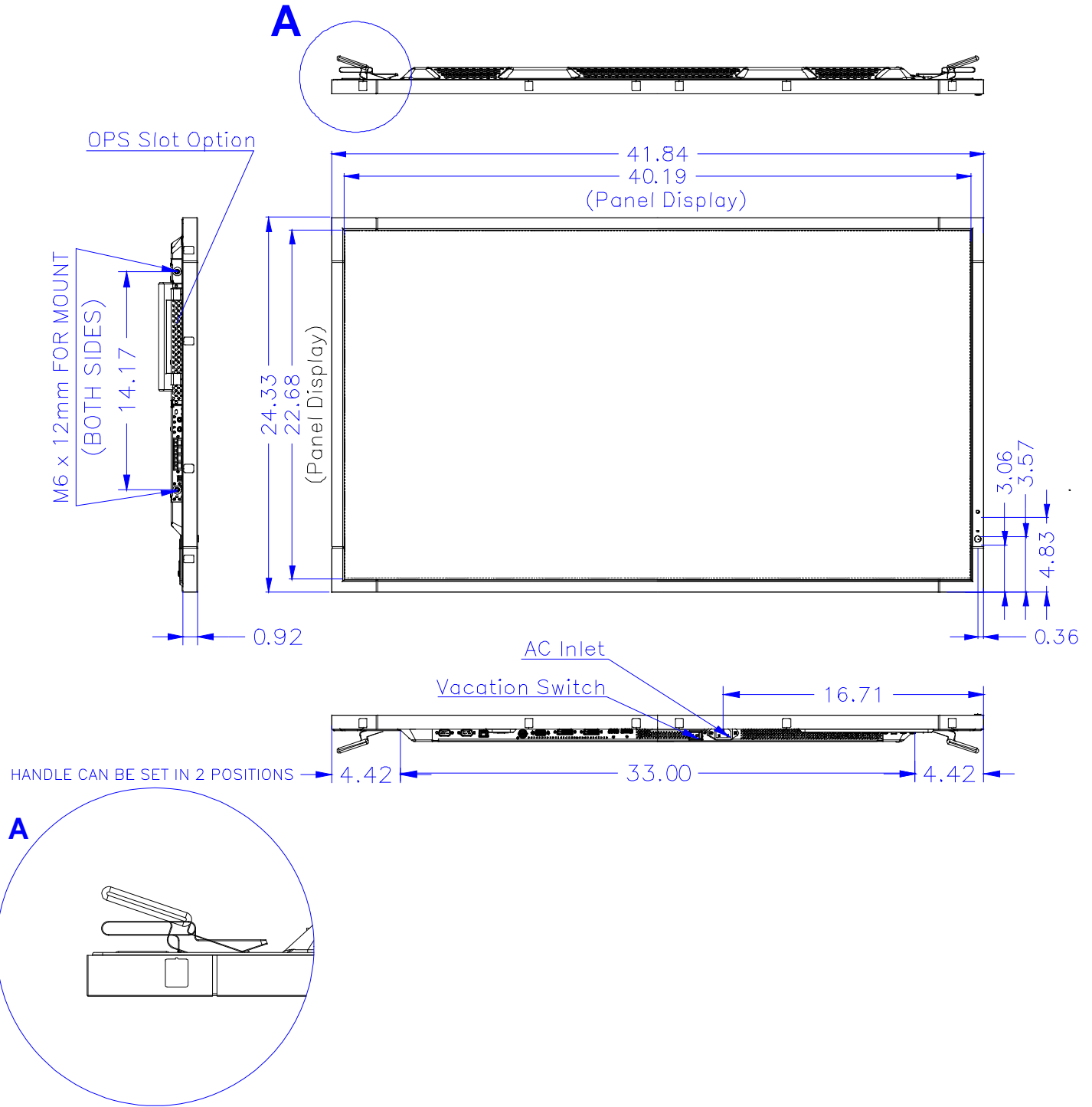
The ventilation space should not be covered or closed off at the front of the opening. If for some reason the opening needs to be covered, other means of ventilation will need to be incorporated into the design. Contact NEC for design review and recommendations.

X461S Installation Guide

46" LCD Display

Rev 1.0

Display dimensions:



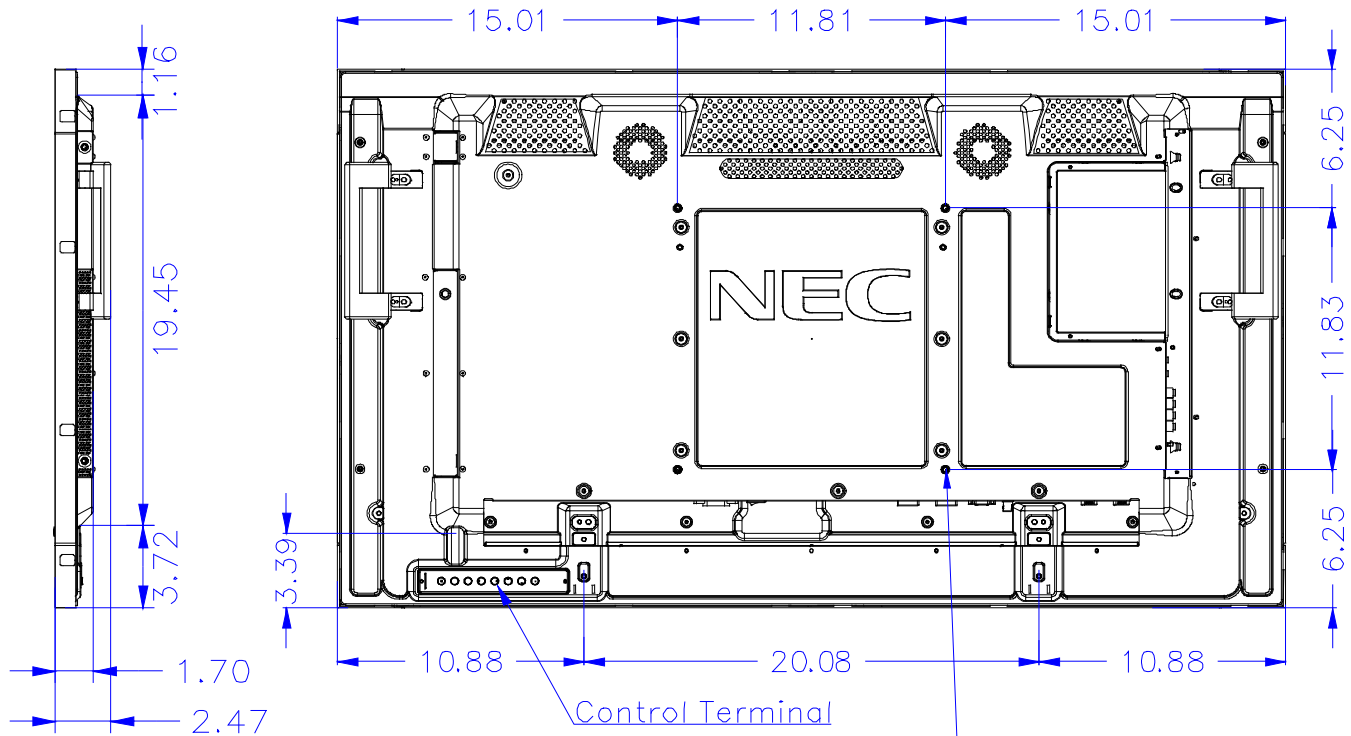
Note: When handle is set to 'carrying' mode (out), overall depth is 2.47". When in 'thin' mode (in), overall depth is 1.70"

X461S Installation Guide

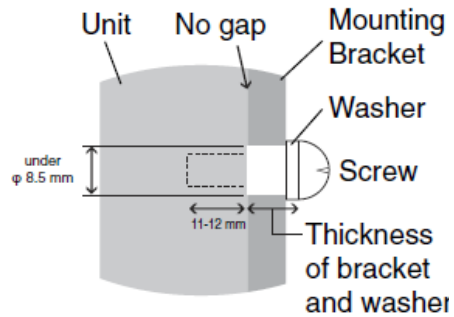
46" LCD Display

Rev 1.0

Display dimensions (cont.):



300 x 300mm VESA HOLE PATTERN
FOR MOUNT UNIT (M6 x 12mm)



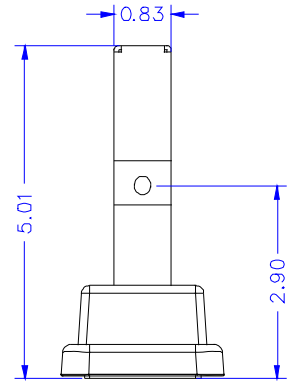
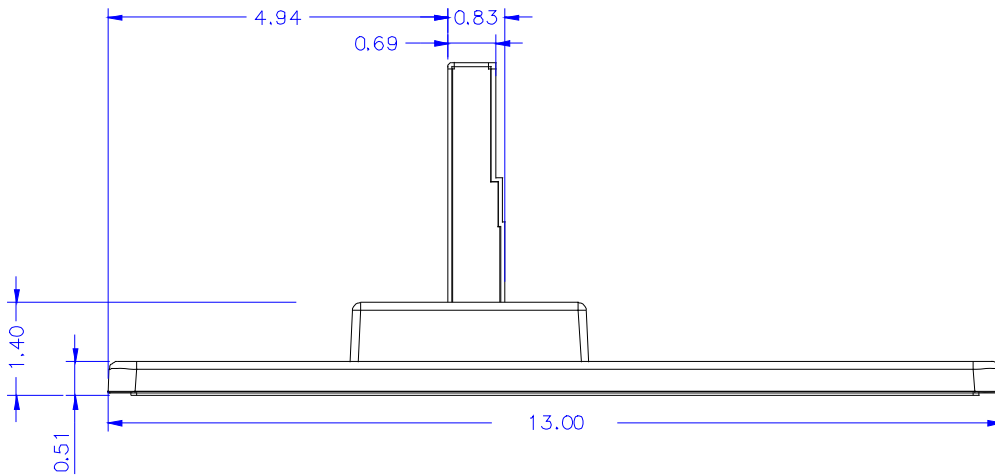
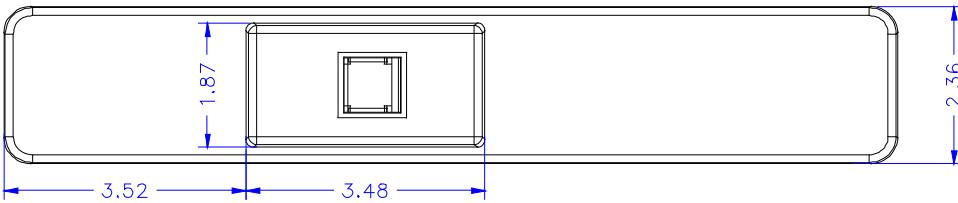
Screw length should equal depth of hole (11-12 mm) + the thickness of mounting bracket and washer. Bracket hole should be under ϕ 8.5 mm.

X461S Installation Guide

46" LCD Display

Rev 1.0

Optional Table Top Stand Dimensions (ST-4020):

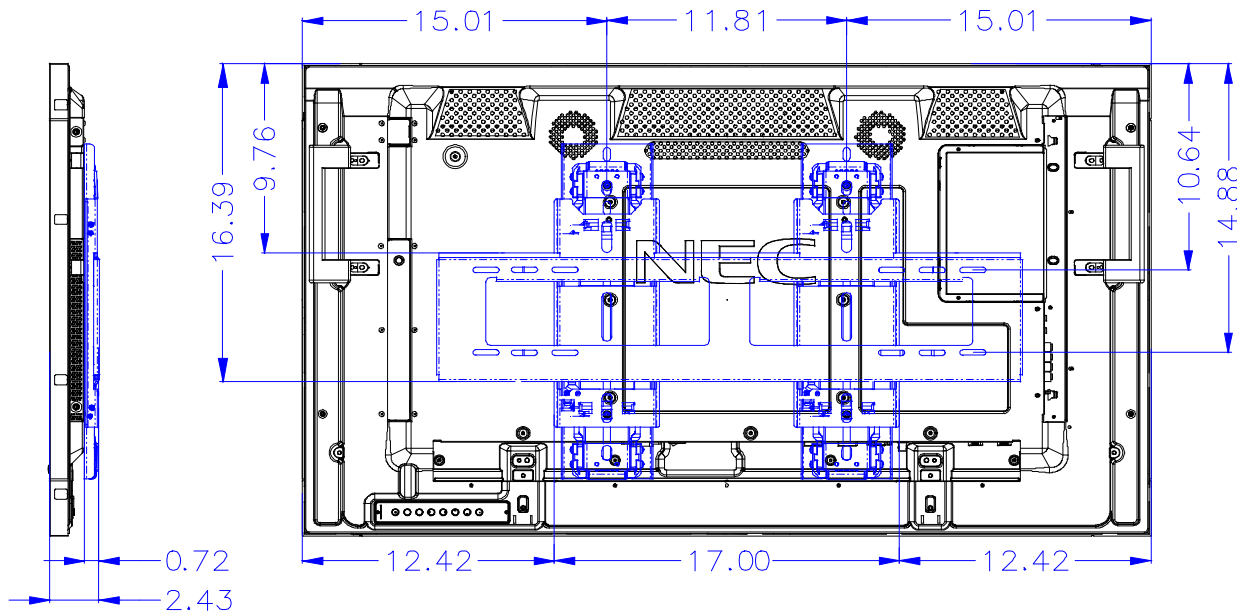


X461S Installation Guide

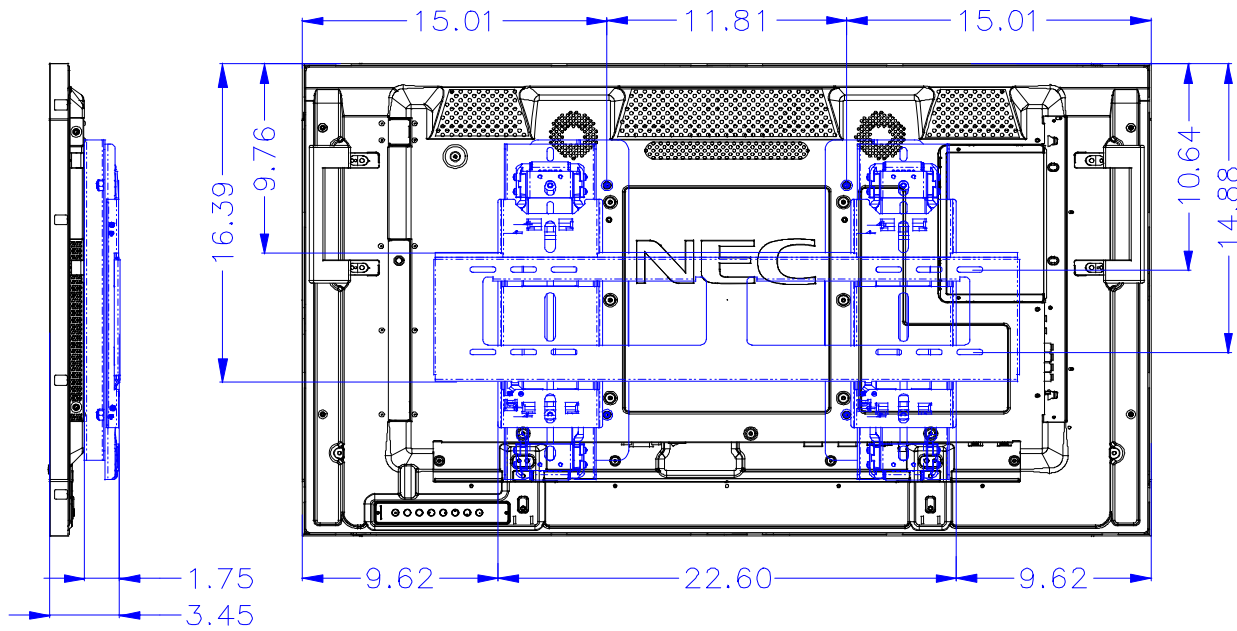
46" LCD Display

Rev 1.0

Dimensions with Optional Slim Wall Mount (WMK-4655S)



Dimensions with Optional Slim Wall Mount (WMK-4655S) when OPS installed



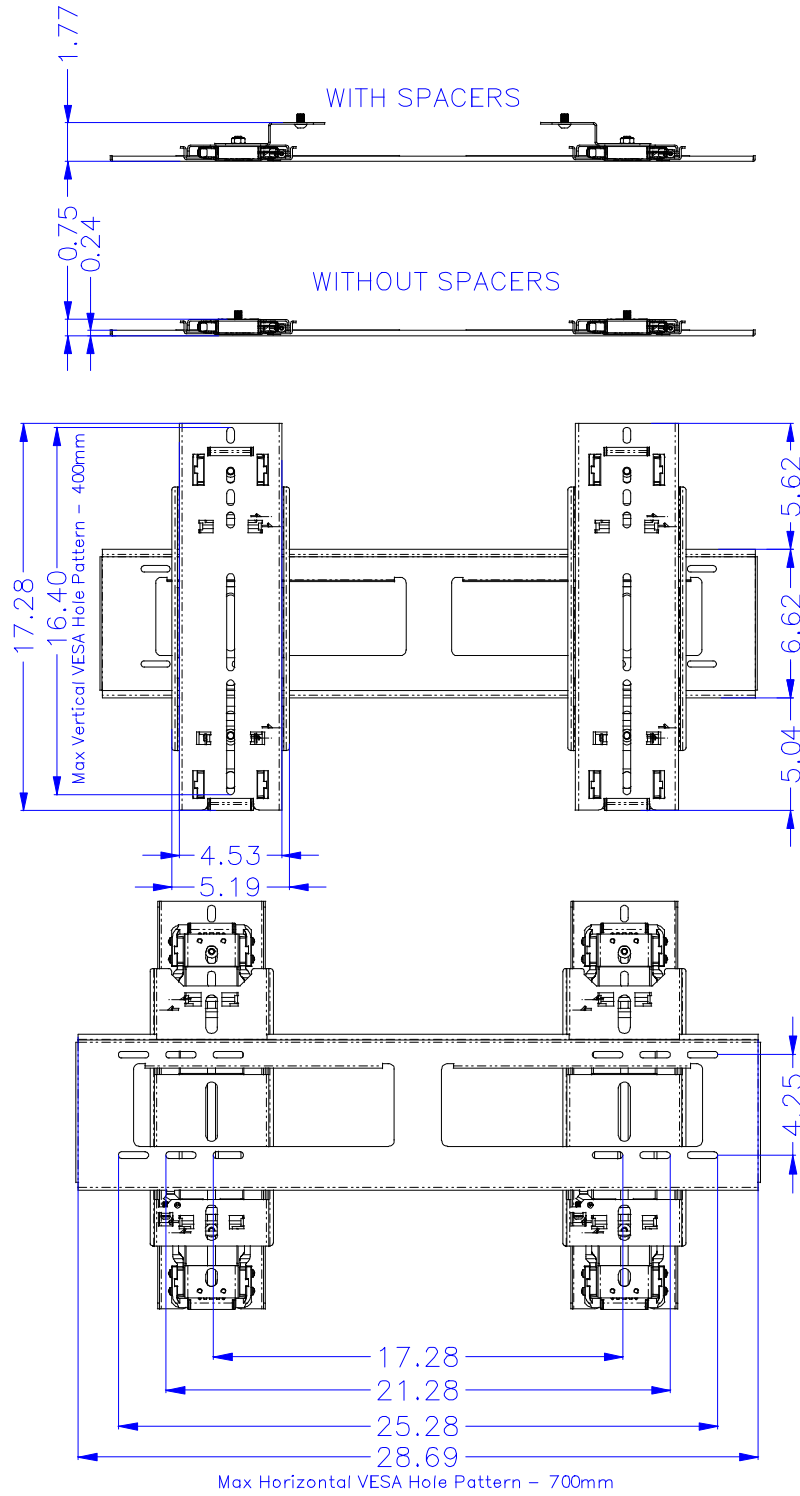
Note: If an OPS option card is installed, offset spacers must be utilized. See WMK-4655S manual.

X461S Installation Guide

46" LCD Display

Rev 1.0

Dimensions with Optional Wall Mount Kit (WMK-4655S):



NOTE: Mount shown without offset spacers

X461S Installation Guide

46" LCD Display

Rev 1.0

Input Panels:

Bottom:



Side:



Handle Positioning:



Note: Handle can be adjusted per screws that are included with the monitor. Instructions are included in the manual.

X461S Installation Guide

46" LCD Display

Rev 1.0

Control Codes:

Function		Code Data
POWER	ON	01 30 41 30 41 30 43 02 43 32 30 33 44 36 30 30 30 31 03 73 0D
	OFF	01 30 41 30 41 30 43 02 43 32 30 33 44 36 30 30 30 34 03 76 0D
INPUT SWITCH	VGA (15pin HD)	01 30 41 30 45 30 41 02 30 30 36 30 30 30 30 31 03 73 0D
	DVI	01 30 41 30 45 30 41 02 30 30 36 30 30 30 30 33 03 71 0D
	HDMI	01 30 41 30 45 30 41 02 30 30 36 30 30 30 30 34 03 76 0D
	VIDEO (Composite)	01 30 41 30 45 30 41 02 30 30 36 30 30 30 30 35 03 77 0D
	DVD/HD	01 30 41 30 45 30 41 02 30 30 36 30 30 30 30 43 03 01 0D
	S-Video	01 30 41 30 45 30 41 02 30 30 36 30 30 30 30 37 03 75 0D
	TV (Analog)	01 30 41 30 45 30 41 02 30 30 36 30 30 30 30 39 03 7B 0D
	TV (Digital)	01 30 41 30 45 30 41 02 30 30 36 30 30 30 30 41 03 03 0D
AUDIO MUTE	ON	01 30 41 30 45 30 41 02 30 30 38 44 30 30 30 31 03 09 0D
	OFF	01 30 41 30 45 30 41 02 30 30 38 44 30 30 30 32 03 0A 0D
PICTURE MODE	sRGB	01 30 41 30 45 30 41 02 30 32 31 41 30 30 30 31 03 07 0D
	HIBRIGHT	01 30 41 30 45 30 41 02 30 32 31 41 30 30 30 33 03 05 0D
	STANDARD	01 30 41 30 45 30 41 02 30 32 31 41 30 30 30 34 03 02 0D
	CINEMA	01 30 41 30 45 30 41 02 30 32 31 41 30 30 30 35 03 03 0D
SCREEN MODE:	NORMAL	01 30 41 30 45 30 41 02 30 32 37 30 30 30 30 31 03 70 0D
	FULL	01 30 41 30 45 30 41 02 30 32 37 30 30 30 30 32 03 73 0D
	WIDE	01 30 41 30 45 30 41 02 30 32 37 30 30 30 30 33 03 72 0D
	ZOOM	01 30 41 30 45 30 41 02 30 32 37 30 30 30 30 34 03 75 0D
AUTO SETUP	EXECUTE	01 30 41 30 45 30 41 02 30 30 31 45 30 30 30 31 03 01 0D
FILM MODE	OFF	01 30 41 30 45 30 41 02 30 30 30 32 30 30 30 31 03 77 0D
	AUTO	01 30 41 30 45 30 41 02 30 30 30 32 30 30 30 32 03 74 0D

NOTE: Contact your NEC rep for codes not listed.

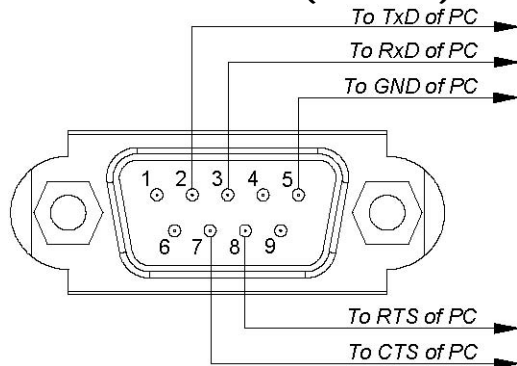
NOTE: Use a cross/reverse/null modem cable.

Cable Connection:

Communication Protocol:

Interface:	RS-232C	Parity:	None
Communication:	Asynchronous	Stop Bit:	1 bit
Baud Rate:	9600 bps	Communication Code:	Hex
Data Length:	8 bits		

PC Control Connector (D-Sub 9P)



NOTE: If so desired, jumper "Request to send" and "Clear to Send" together on both ends of the cable to simplify cable connection. These connections are not required. The only connections required are pins 2 (TxD), 3 (RxD) and 5 (GND).