

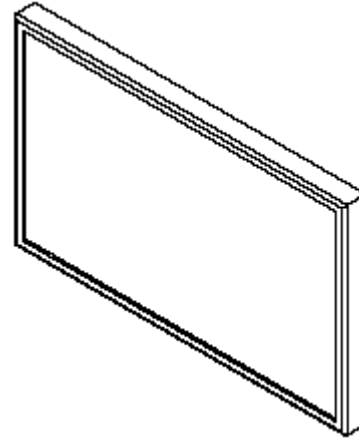
X401S Installation Guide

40" LCD Display

Rev 1.0

Contents:

| | |
|---|--------|
| Product Description and Notes | Page 1 |
| Tilt Angle and Rotation | Page 1 |
| Ventilation Requirements | Page 2 |
| Display Dimensions | Page 3 |
| Display Dimensions | Page 4 |
| Optional Table Top Stand Dimensions | Page 5 |
| Dimensions with Optional Wall Mount (WMK-4655S) | Page 6 |
| Dimensions of Optional Wall Mount (WMK-4655S) | Page 7 |
| Input Terminals | Page 8 |
| Control Codes | Page 9 |



Product Description

Type: LCD Display
Resolution: 1920 x 1080
Aspect Ratio: 16:9
FCC: Class B
Power Consumption: 110W (typ)
BTU's: 375.34 BTU/hour

Screen Surface: Anti-Reflective
Dimensions without stand: 36.4"(W) x 21.2"(H) x 1.7"(D)
Dimensions with stand: 36.4W) x 22.6"(H) x 9.4" (D)
Weight without stand: 32.8 lbs / 14.9 kg
Weight with stand: 35.9 lbs / 16.3 kg
Built-In Speaker

NOTES:

- This document is intended to be used as a reference guide to supply useful information for a design or installation. It is not intended to be a step-by-step procedure for installation.
- Any ceilings or walls must be strong enough to support the monitor and the installation must be in accordance with any local building codes. All mounts should make secure contact to wood studs.
- 4:3 sources can be displayed on the 16:9 screen in either normal aspect ratio with bars on the left or right, or stretched horizontally to fill the screen using the menus (see "Aspect Modes" in menus and user manual).
- Distances are in inches, for millimeters multiply by 25.4.

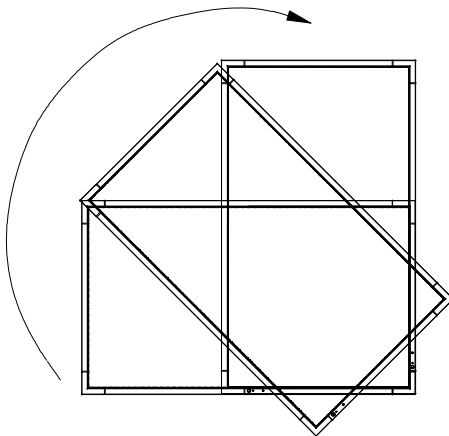
Tilt Angle and Rotation

Monitor may be angled and rotated from normal landscape and portrait orientation to both face up and face down positioning. When orientated in face up or face down position, operating temperature for the unit changes. Rotate only clockwise for portrait orientation.

Operating Temperatures:

- Landscape: 5-40° Celsius; 41-104° Fahrenheit
- Portrait: 5-40° Celsius; 41-104° Fahrenheit

Face Up: 5-35° Celsius; 41-95° Fahrenheit
Face Down: 5-35° Celsius; 41-95° Fahrenheit



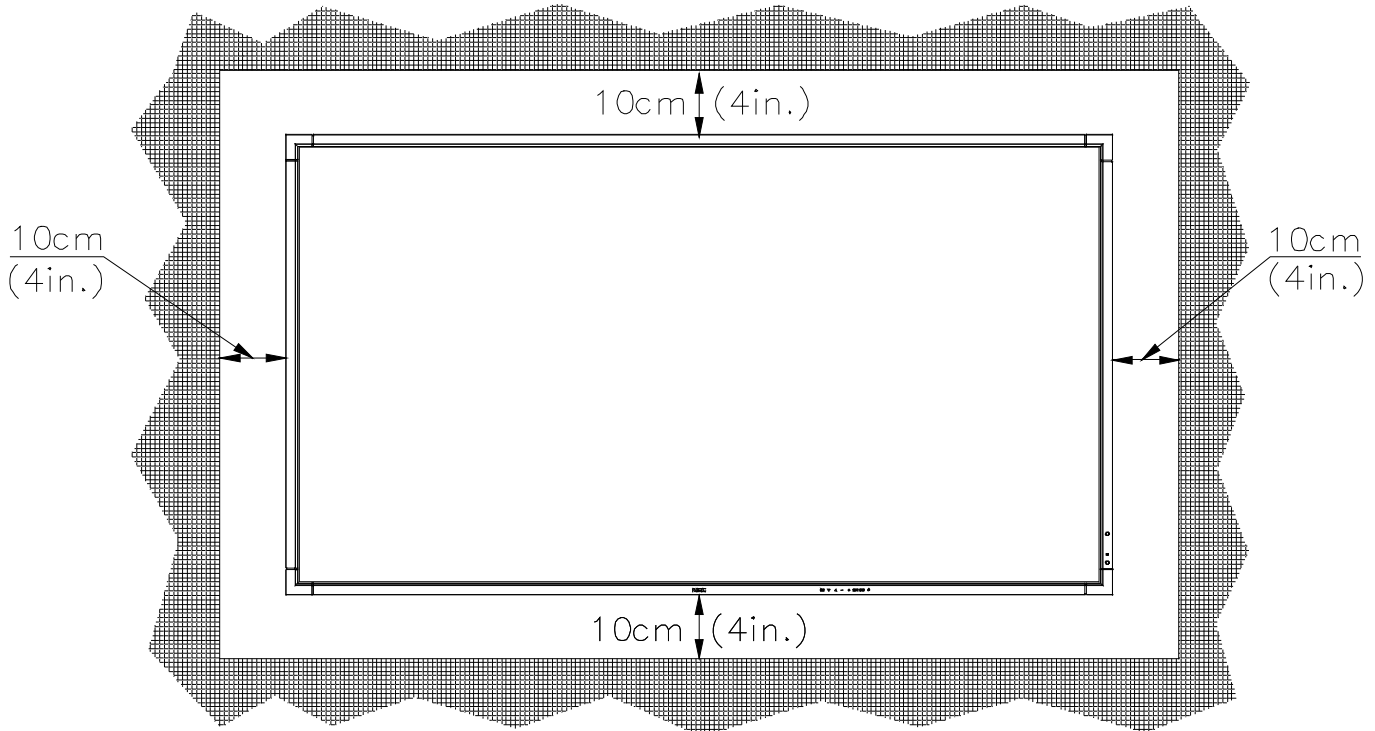
X401S Installation Guide

40" LCD Display

Rev 1.0

Ventilation Recommendations:

Dimensions below are minimum recommended for proper ventilation when the unit is in a recessed area.



NOTE:

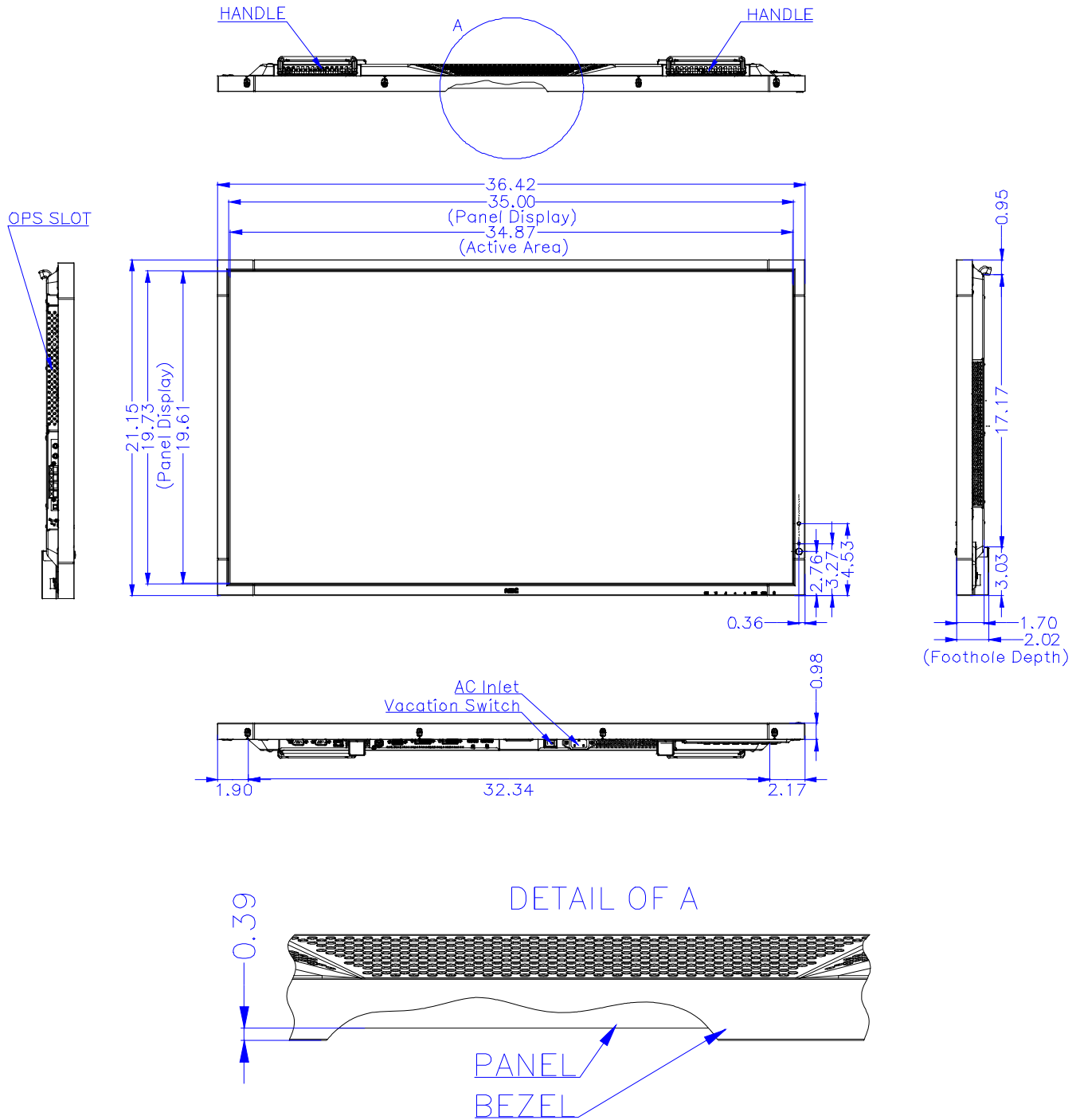
The ventilation space should not be covered or closed off at the front of the opening. If for some reason the opening needs to be covered, other means of ventilation will need to be incorporated into the design. Contact NEC for design review and recommendations.

X401S Installation Guide

40" LCD Display

Rev 1.0

Display dimensions:

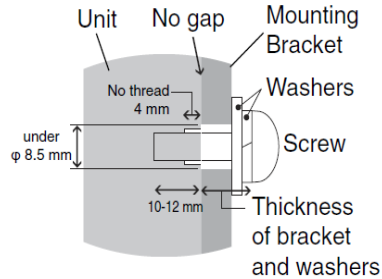
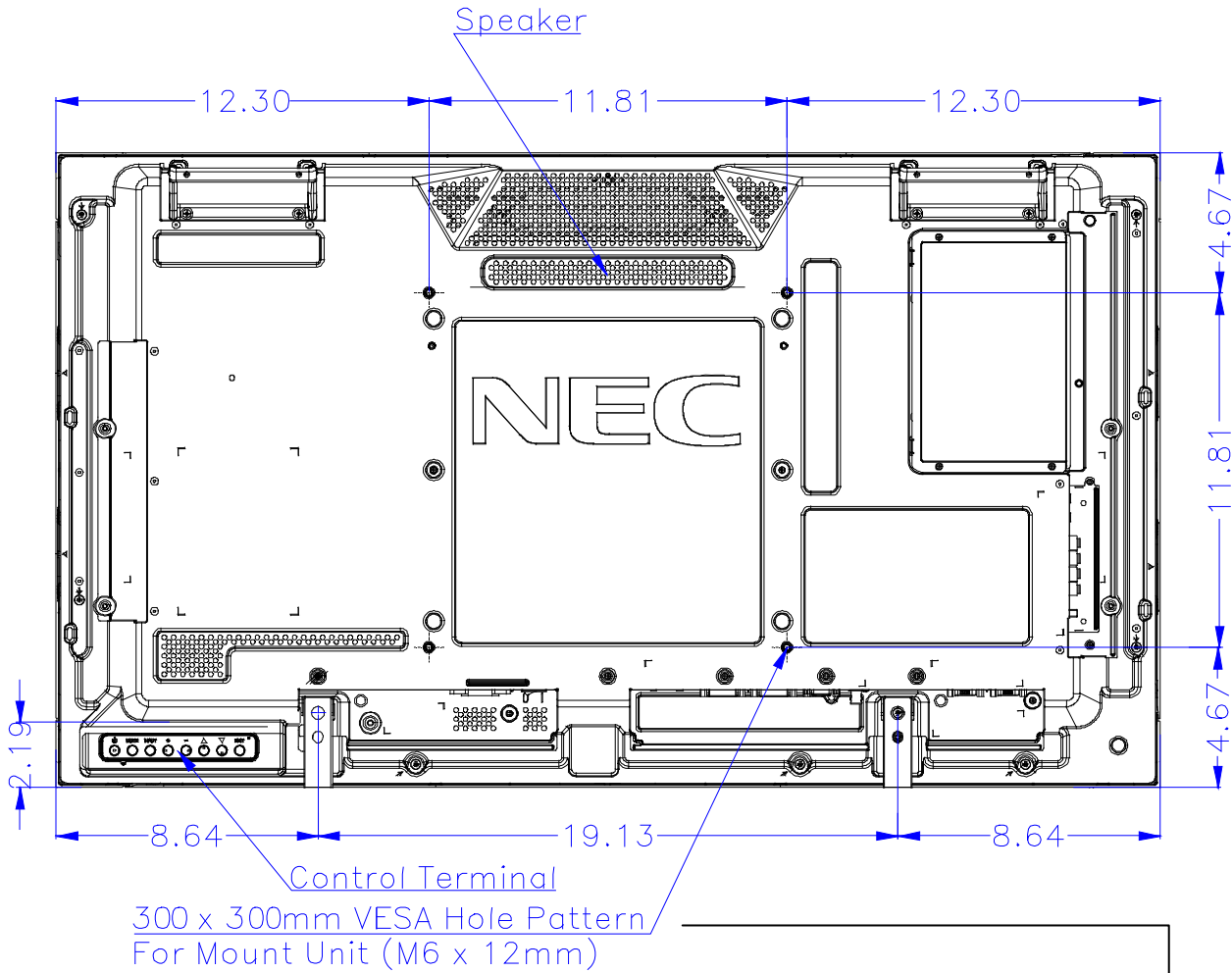


X401S Installation Guide

40" LCD Display

Rev 1.0

Display dimensions (cont.):



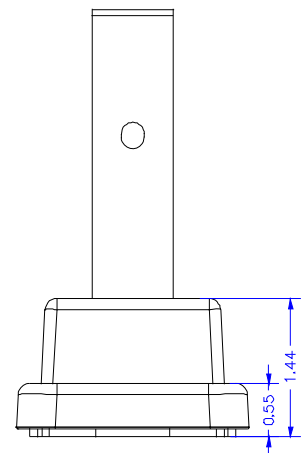
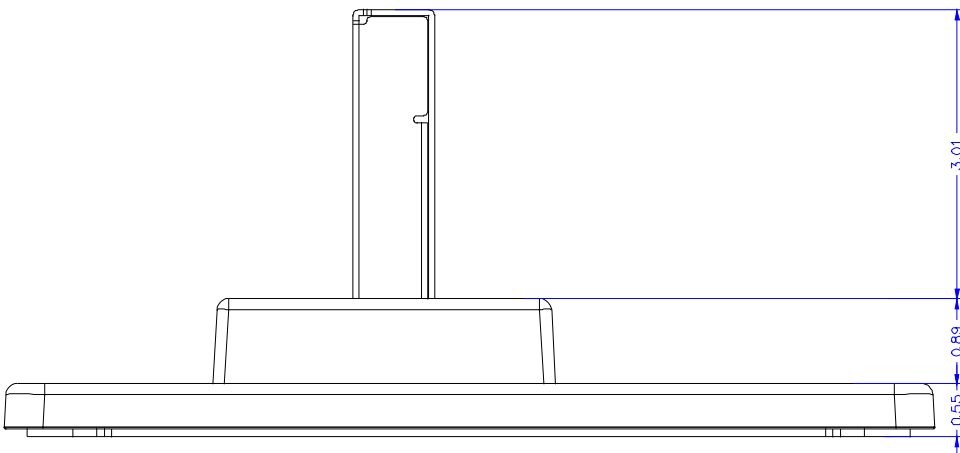
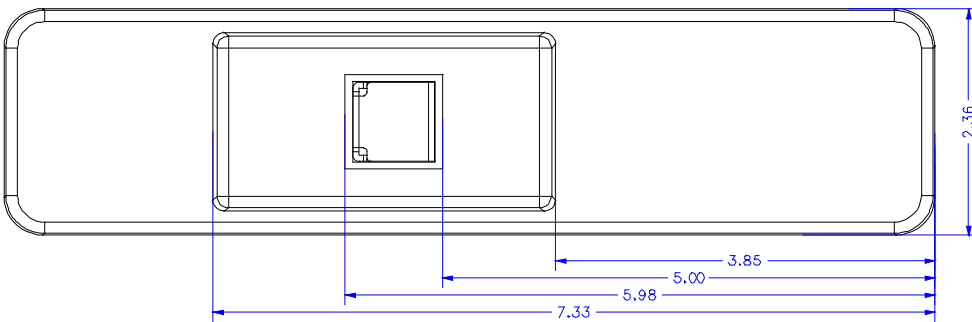
Screw length should equal depth of hole (10-12 mm) + the thickness of mounting bracket and washers. Bracket hole should be under ϕ 8.5 mm.

X401S Installation Guide

40" LCD Display

Rev 1.0

Optional Table Top Stand Dimensions (ST-322):

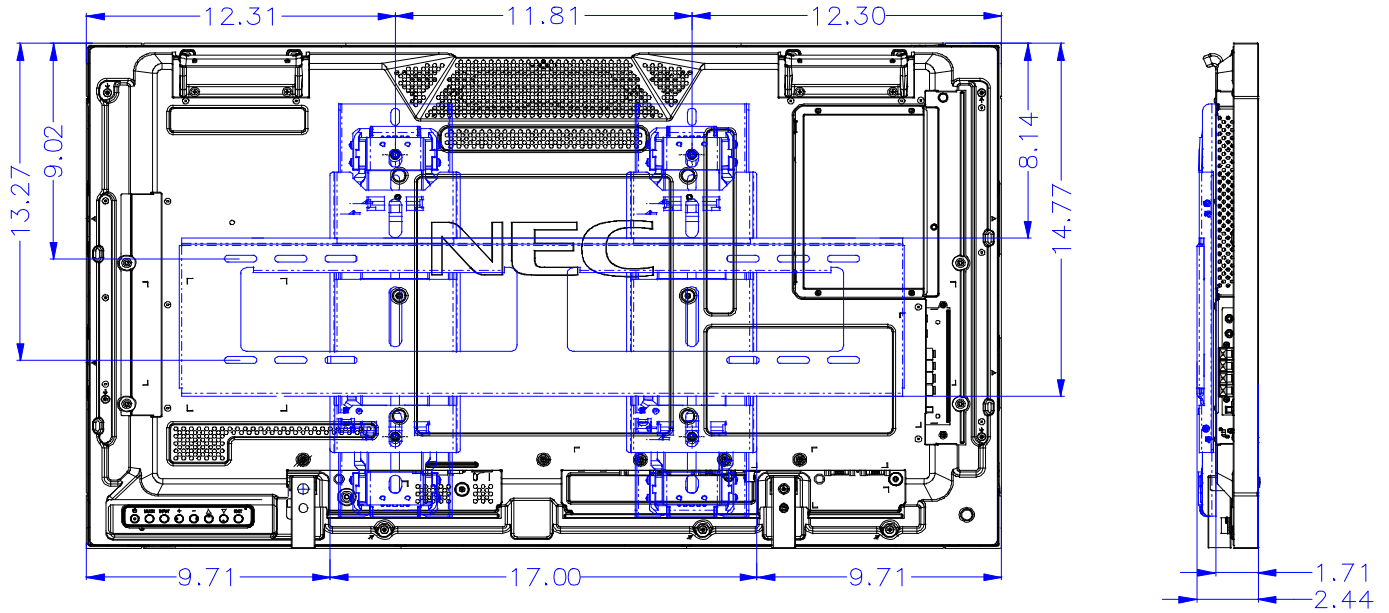


X401S Installation Guide

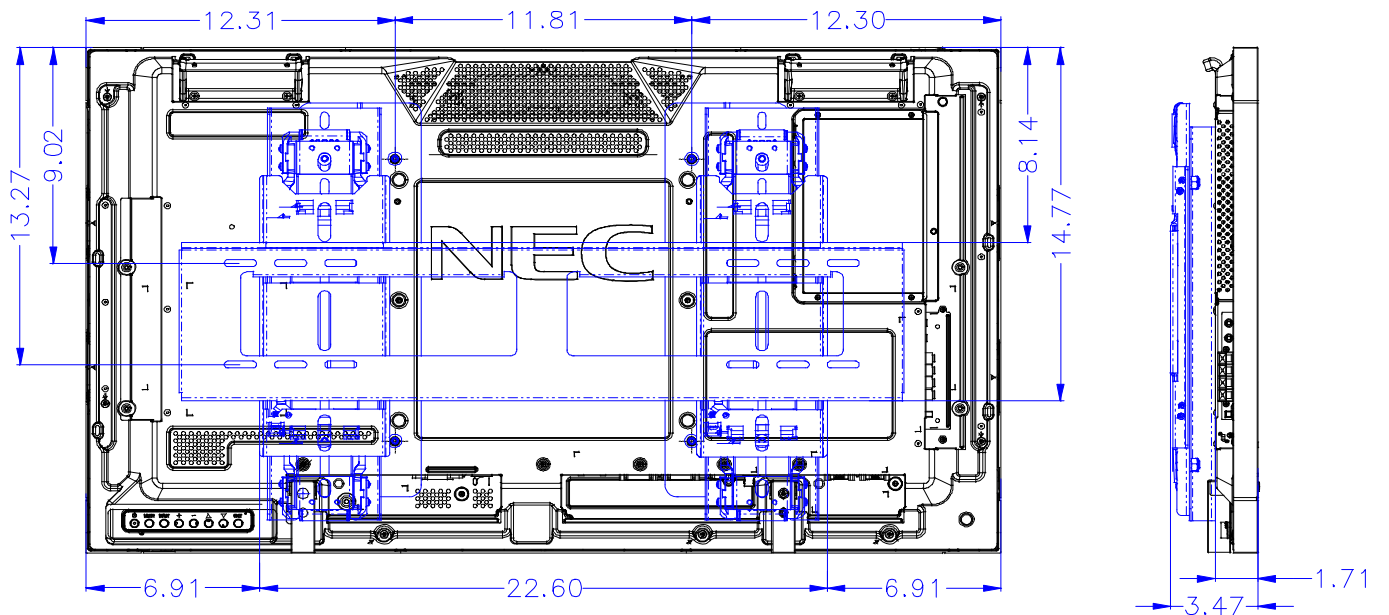
40" LCD Display

Rev 1.0

Dimensions with Optional Slim Wall Mount (WMK-4655S)



Dimensions with Optional Slim Wall Mount (WMK-4655S) when OPS installed



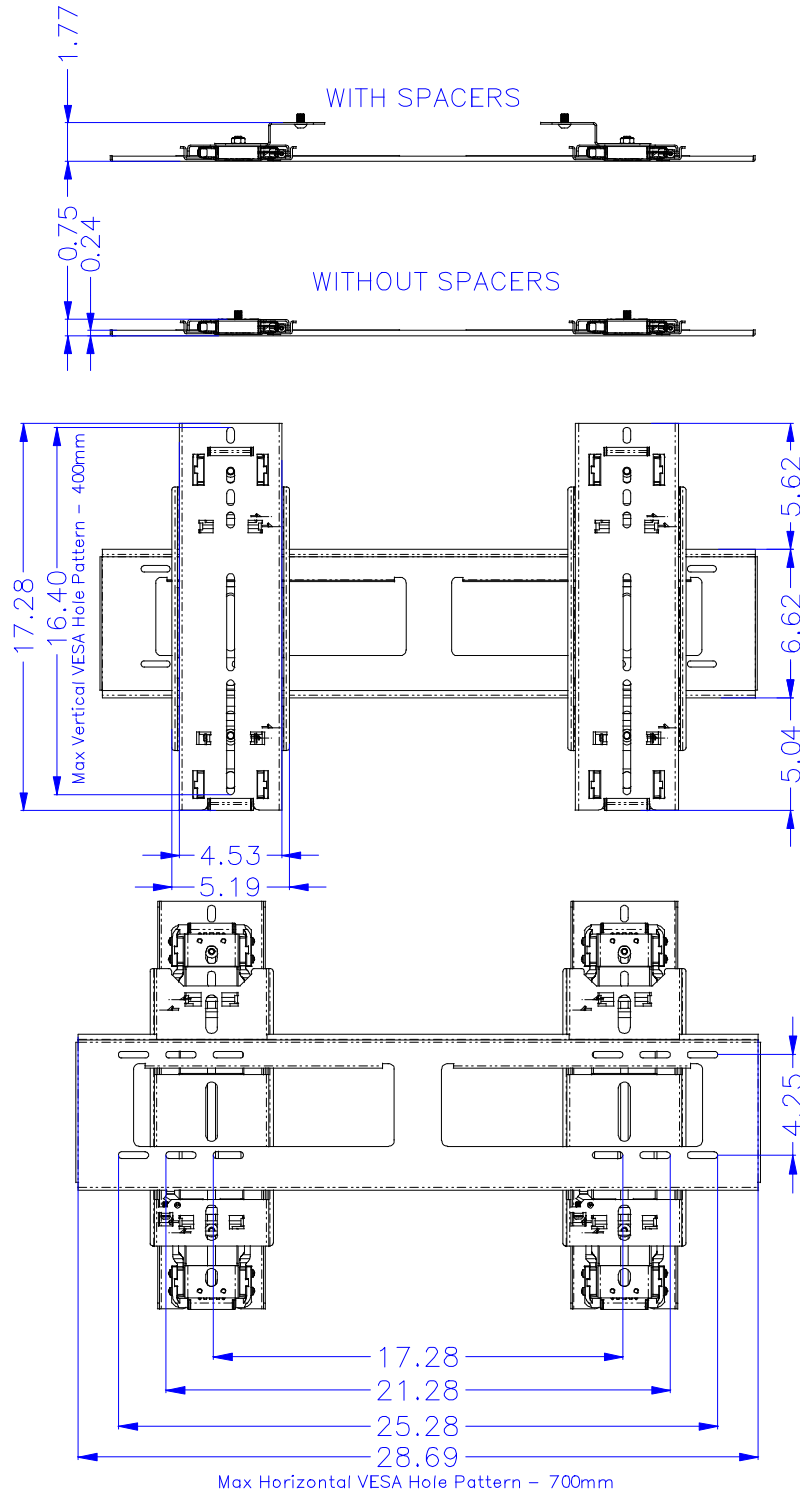
Note: If an OPS option card is installed, offset spacers must be utilized. See WMK-4655S manual.

X401S Installation Guide

40" LCD Display

Rev 1.0

Dimensions with Optional Wall Mount Kit (WMK-4655S):



NOTE: Mount shown without offset spacers

X401S Installation Guide

40" LCD Display

Rev 1.0

Input Panels:

Bottom:



Side:



X401S Installation Guide

40" LCD Display

Rev 1.0

Control Codes:

| Function (Monitor ID = 1) | Code Data |
|---------------------------------|--|
| Power ON | 01 30 41 30 41 30 43 02 43 32 30 33 44 36 30 30 30 31 03 73 0d |
| Power OFF | 01 30 41 30 41 30 43 02 43 32 30 33 44 36 30 30 30 34 03 76 0d |
| Input Source Select DisplayPort | 01 30 41 30 45 30 41 02 30 30 36 30 30 30 30 46 03 04 0d |
| Input Source Select DVI | 01 30 41 30 45 30 41 02 30 30 36 30 30 30 30 33 03 71 0d |
| Input Source Select VGA | 01 30 41 30 45 30 41 02 30 30 36 30 30 30 30 31 03 73 0d |
| Input Source Select HDMI | 01 30 41 30 45 30 41 02 30 30 36 30 30 30 31 31 03 72 0d |
| Input Source Select DVD/HD | 01 30 41 30 45 30 41 02 30 30 36 30 30 30 30 43 03 01 0d |
| Input Source Select VIDEO | 01 30 41 30 45 30 41 02 30 30 36 30 30 30 30 35 03 77 0d |
| Input Source Select S-VIDEO | 01 30 41 30 45 30 41 02 30 30 36 30 30 30 30 37 03 75 0d |
| Input Source Select OPTION | 01 30 41 30 45 30 41 02 30 30 36 30 30 30 30 44 03 06 0d |
| Sound Mute ON | 01 30 41 30 45 30 41 02 30 30 38 44 30 30 30 31 03 09 0d |
| Sound Mute OFF | 01 30 41 30 45 30 41 02 30 30 38 44 30 30 30 32 03 0a 0d |

NOTE: Contact your NEC rep for codes not listed.

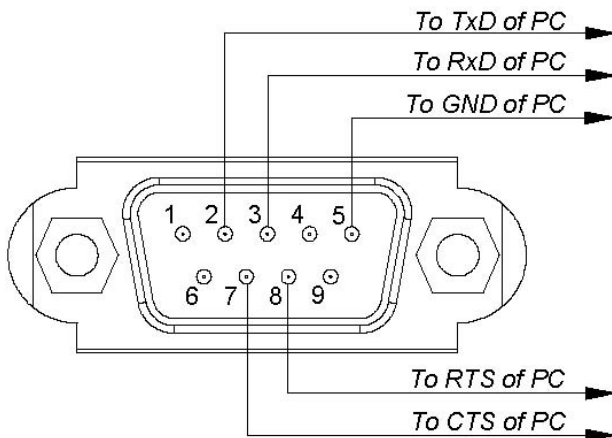
NOTE: Use a cross/reverse/null modem cable.

Cable Connection:

Communication Protocol:

| | | | |
|----------------|--------------|---------------------|-------|
| Interface: | RS-232C | Parity: | None |
| Communication: | Asynchronous | Stop Bit: | 1 bit |
| Baud Rate: | 9600 bps | Communication Code: | Hex |
| Data Length: | 8 bits | | |

PC Control Connector (D-Sub 9P)



NOTE: If so desired, jumper "Request to send" and "Clear to Send" together on both ends of the cable to simplify cable connection. These connections are not required. The only connections required are pins 2 (TxD), 3 (RxD) and 5 (GND).