

## PX1005QL Installation Guide

### Desktop and Ceiling Mount

### Contents

Product Description, Lens Specs, Screen/Aspect Ratio	
Notes	Pg 1
Distance Charts and Formulas	Pg 2-3
Ceiling Mount/Desktop Installation	Pg 4
Lens Shift Adjustable Range	Pg 5
Cabinet Dimensions	Pg 6
Cabinet Dimensions	Pg 7
Optional Lens Dimensions	Pg 8
Ventilation Requirements/Portrait Requirements	Pg 9
Regulatory Labels	Pg 10
Input Panel and Button Panel	Pg 11
Control Codes	Pg 12



### Product Description

<b>Type:</b>	1 chip DMD Reflection Type 0.66 in. TRP DMD	<b>Dimensions:</b> 19.7" (W) x 8.49" (H) x 23.0" (D)
<b>DMD Resolution:</b>	2716 x 1528 (16:9) WQXGA	<b>Weight:</b> 68.8 lbs. / 31.2kg
<b>Output Resolution:</b>	3840 x 2160 (16:9) UHD	<b>Brightness:</b> 10,000 Lumens
<b>Fan Noise:</b>	42 dB / 39dB @ 1 meter	
<b>Power Consumption:</b>	1222W (max)	<b>BTU's:</b> 4166 BTU/hour
Network Ready, RJ45		
Powered: Lens Shift, Horizontal & Vertical /Zoom/ Focus		

### Lens Specifications

<b>NP39ML-4K:</b> Throw Ratio: ~ 0.38:1 Screen Sizes: 85"-350"	Focal Length: 11.4mm F#: 1.85	<b>Weight:</b> 6.0lbs. / 2.7kg
<b>NP16FL-4K:</b> Throw Ratio: ~ 0.76:1 Screen Sizes: 50"-300"	Focal Length: 11.6mm F#: 1.85	<b>Weight:</b> 3.3lbs. / 1.5kg
<b>NP17ZL-4K:</b> Throw Ratio: 1.24 - 1.78:1 Screen Sizes: 50"-300"	Focal Length: 18.7 - 26.5mm F#: 1.85	<b>Weight:</b> 2.0lbs. / 0.9kg
<b>NP18ZL-4K:</b> Throw Ratio: 1.71 - 2.25:1 Screen Sizes: 50-300"	Focal Length: 26.0 - 34.0mm F#: 1.70-1.90	<b>Weight:</b> 2.4lbs. / 1.1kg
<b>NP19ZL-4K:</b> Throw Ratio: 2.20 -3.67:1 Screen Sizes: 50-300"	Focal Length: 32.9 - 54.2mm F#: 1.86 - 2.48	<b>Weight:</b> 1.9lbs. / 0.84kg
<b>NP20ZL-4K:</b> Throw Ratio: 3.54 - 5.36:1 Screen Sizes: 50"-300"	Focal Length: 52.8 - 79.1mm F#: 1.85-2.41	<b>Weight:</b> 2.2lbs. / 1.0kg
<b>NP21ZL-4K:</b> Throw Ratio: 5.25 - 8.28:1 Screen Sizes: 50"-300"	Focal Length: 78.5 -121.9mm F#: 1.85-2.48	<b>Weight:</b> 2.2lbs. / 1.0kg
<b>NP31ZL-4K:</b> Throw Ratio: 0.74 - 0.93:1 Screen Sizes: 50-300"	Focal Length: 11.3 -14.1mm F#: 1.96-2.3	<b>Weight:</b> 3.1lbs. / 1.4kg

### Screen/Aspect Ratio

**4:3, 16:9 and 16:10 screens are fully supported** with proper aspect ratio control for both type sources using NEC developed scaling technology. Menu selections have settings for each screen type and aspect ratio control for each source type.

### Notes

- For screen sizes not indicated on the projection tables, use the formulas below.
- If the figures on the tables do not match the results of formulas, use the figures in the table.
- Distances are in inches, for millimeters multiply by 25.4.
- Distances may vary ±5%.

## PX1005QL Installation Guide

### Desktop and Ceiling Mount

### Formulas: 16:9 Aspect Ratio (UHD)

The Projection Formulas use the image width for calculation. Image width is the same for all aspect ratios, only vertical image size varies. For proper projector placement, determine the image width for a desired screen size. Use the Screen Formulas below to calculate all screen dimensions. Plug in the image width for "W" in the Projection Formulas. Refer to the diagrams and charts for popular screen sizes on page 2 and 3:

#### Projection Formulas:

- NP16FL-4K:** C = 0.794W – 1.85
- NP17ZL-4K:** C(Wide) = 1.269W – 2.091 ----- C(Tele) = 1.802W – 1.910
- NP18ZL-4K:** C(Wide) = 1.748W – 2.673 ----- C(Tele) = 2.290W – 2.633
- NP19ZL-4K:** C(Wide) = 2.241W – 3.150 ----- C(Tele) = 3.713W – 3.114
- NP20ZL-4K:** C(Wide) = 3.618W – 5.319 ----- C(Tele) = 5.434W – 5.299
- NP21ZL-4K:** C(Wide) = 5.412W – 11.622 ---- C(Tele) = 8.438W – 11.531
- NP31ZL-4K:** C(Wide) = 0.768W – 1.795 ----- C(Tele) = 0.953W – 1.705
- NP39ML-4K:** Ultra-Short Throw lens (See page 3 for Formulas)

#### Definitions:

- W = Image Width
- H = Image Height (size)
- C = Throw distance

#### 16:9 Screen Formulas

- W = H x 16/9
- H = W x 9/16
- Screen Diagonal = W x 18.358/16

### Distance Chart

Screen Size (16:9)			Rear Lens	Zoom Lenses											
			NP16FL-4K	NP31ZL-4K		NP17ZL-4K		NP18ZL-4K		NP19ZL-4K		NP20ZL-4K		NP21ZL-4K	
Diagonal	Width(W)	Height (H)	0.76:1	0.74-0.93:1		1.24-1.78:1		1.71-2.25-1		2.20-3.67:1		3.54-5.36:1		5.25-8.28:1	
inches	inches	inches	inches	inches		inches		inches		inches		inches		inches	
30	26	15	18.9	18.3	- 23.2	31.1	- 45.2	43.0	- 57.2	55.4	- 94.0	89.3	- 136.8	129.9	- 209.1
59	51	29	39.0	37.7	- 47.3	63.2	- 90.8	87.2	- 115.1	112.1	- 187.8	180.7	- 274.1	266.7	- 422.4
67	58	33	44.5	43.1	- 53.9	72.0	- 103.3	99.4	- 131.1	127.7	- 213.7	206.0	- 312.0	304.4	- 481.2
70	61	34	46.6	45.1	- 56.4	75.3	- 108.0	104.0	- 137.1	133.6	- 223.4	215.4	- 326.2	318.6	- 503.3
83	72	41	55.6	53.8	- 67.2	89.7	- 128.4	123.8	- 163.0	159.0	- 265.5	256.4	- 387.8	379.9	- 598.9
106	92	52	71.5	69.2	- 86.3	115.1	- 164.6	158.8	- 208.9	203.9	- 339.9	328.9	- 496.7	488.4	- 768.0
110	96	54	74.3	71.8	- 89.7	119.6	- 170.8	164.9	- 216.9	211.7	- 352.9	341.5	- 515.7	507.2	- 797.4
126	110	62	85.3	82.5	- 102.9	137.3	- 196.0	189.3	- 248.8	242.9	- 404.6	392.0	- 591.4	582.7	- 915.1
133	116	65	90.2	87.2	- 108.8	145.0	- 207.0	199.9	- 262.8	256.6	- 427.3	414.1	- 624.6	615.7	- 966.6
159	139	78	108.2	104.6	- 130.4	173.8	- 247.8	239.6	- 314.7	307.4	- 511.4	496.1	- 747.7	738.4	- 1157.8
184	160	90	125.5	121.4	- 151.1	201.4	- 287.1	277.6	- 364.6	356.2	- 592.3	574.9	- 866.1	856.3	- 1341.6
202	176	99	137.9	133.4	- 166.1	221.3	- 315.3	305.1	- 400.5	391.4	- 650.6	631.6	- 951.4	941.2	- 1474.0
220	192	108	150.4	145.5	- 181.0	241.2	- 343.6	332.5	- 436.5	426.5	- 708.8	688.4	- 1036.6	1026.1	- 1606.4
263	229	129	180.1	174.2	- 216.7	288.8	- 411.1	398.0	- 522.3	510.5	- 848.0	824.0	- 1240.3	1228.9	- 1922.6
299	261	147	205.1	198.3	- 246.6	328.6	- 467.7	452.8	- 594.1	580.8	- 964.5	937.5	- 1410.8	1398.7	- 2187.4

## PX1005QL Installation Guide

### Desktop and Ceiling Mount

### Formulas: 16:9 Aspect Ratio (UHD)

The Projection Formulas use the image width for calculation. Image width is the same for all aspect ratios, only vertical image size varies. For proper projector placement, determine the image width for a desired screen size. Use the Screen Formulas below to calculate all screen dimensions. Plug in the image width for "W" in the Projection Formulas. Refer to the diagrams and charts for popular screen sizes on page 2 and 3:

**Projection Formulas:**

**NP39ML-4K:**  $A=(0.348*W)-30.6$   
 $B=0.588*W$   
 $C=(0.348*W)+2.488$   
 $D=(0.284*W)-2.262$   
 $E=(0.284*W)+5.738$

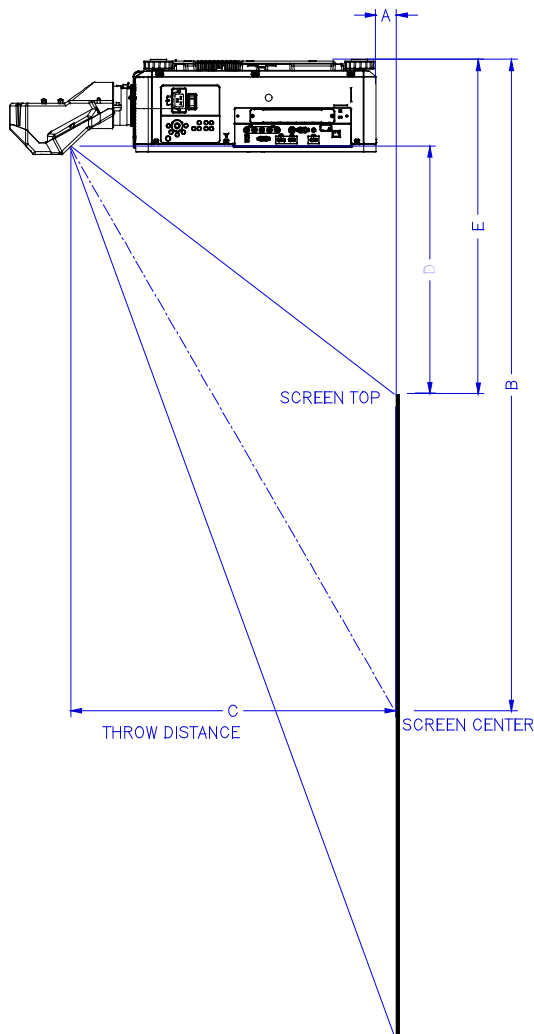
**Definitions:**

W = Image Width  
 H = Image Height (size)  
 C = Throw distance

**16:9 Screen Formulas**

$W = H \times 16/9$   
 $H = W \times 9/16$   
 Screen Diagonal =  $W \times 18.358/16$

### NP39ML-4 Installation



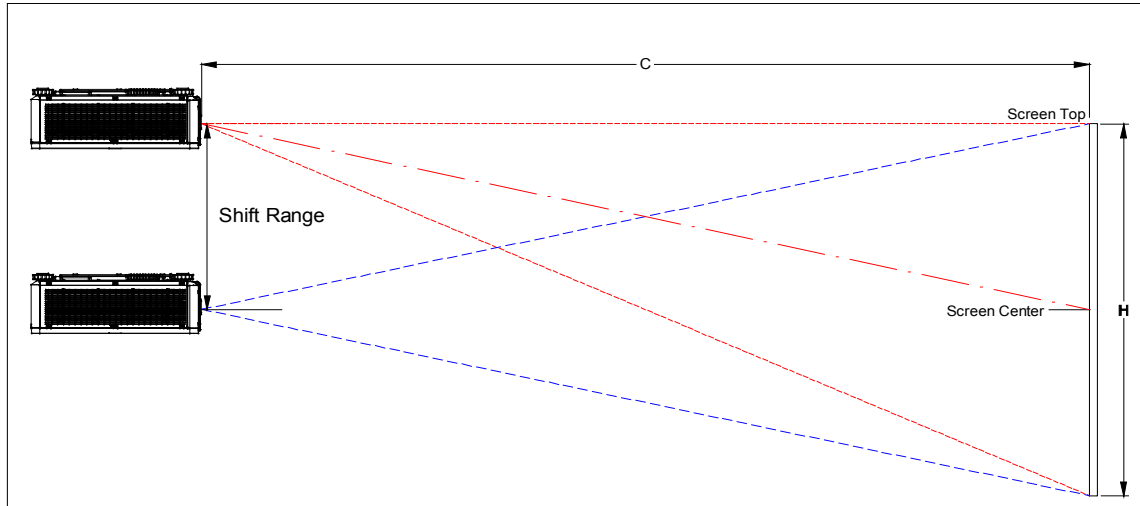
Screen Size (16:9)			A	B	C	D	E
Diagonal	Width(W)	Height (H)	inches	inches	inches	inches	inches
107	93	52	2	55	35	24.2	32.2
113	98	55	4	58	37	25.7	33.7
130	113	64	9	67	42	29.9	37.9
137	119	67	11	70	44	31.6	39.6
164	143	80	19	84	52	38.3	46.3
189	165	93	27	97	60	44.5	52.5
208	181	102	32	107	66	49.2	57.2
226	197	111	38	116	71	53.7	61.7
270	235	132	51	138	84	64.6	72.6
300	261	147	60	154	93	72.0	80.0
350	305	172	76	179	109	84.4	92.4

## PX1005QL Installation Guide

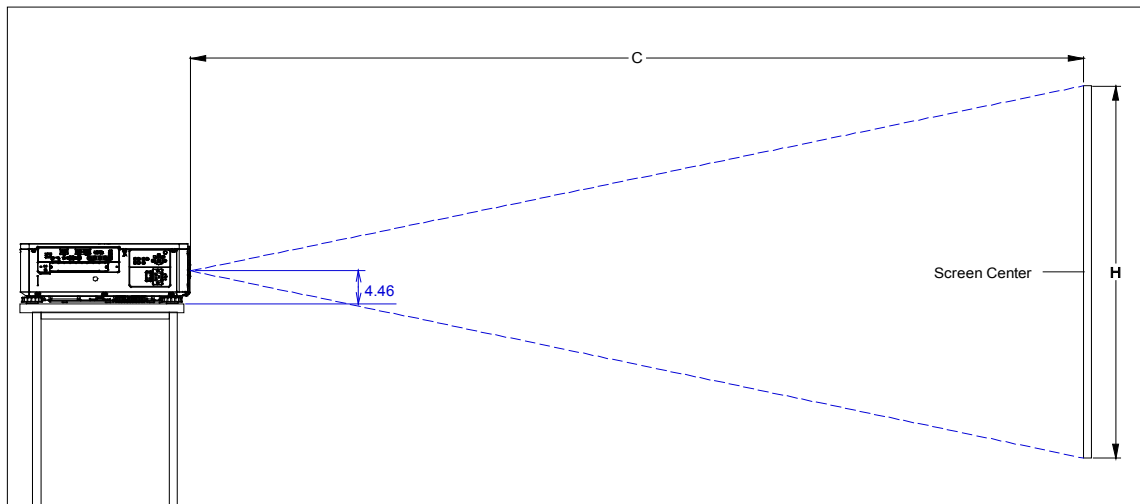
Desktop and Ceiling Mount

Rev 1.6

### Ceiling Mount Installation



**Note:** Lens Shift Feature is not available for the NP16F-4KL. This lens should only be used for “zero degree”/“no-offset” applications.

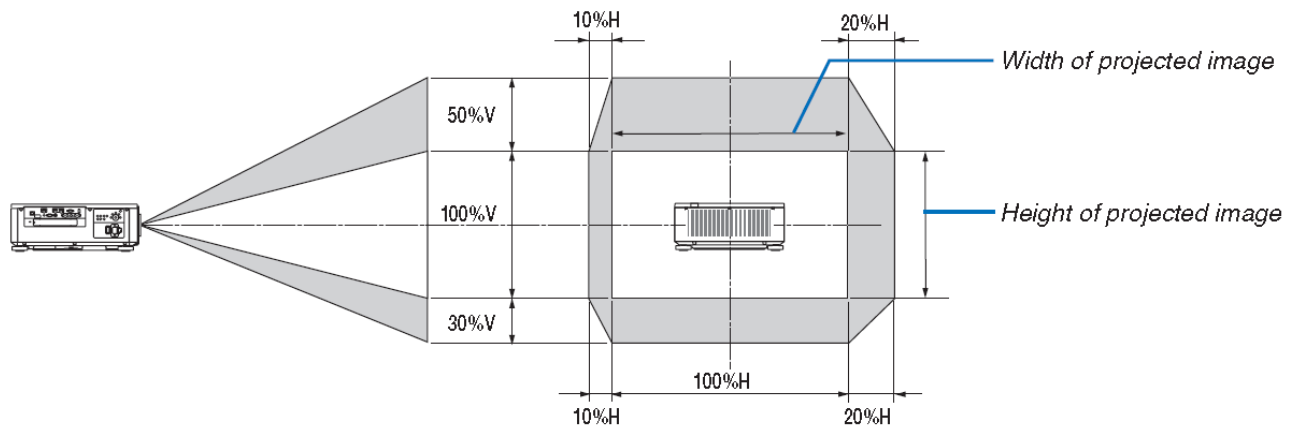


## PX1005QL Installation Guide

Desktop and Ceiling Mount

Rev 1.6

### Lens Shift Adjustable Range



#### Lens Shift Range for Desktop and Ceiling Mount Application

The diagram below shows the location of the image position in the lens. The lens can be shifted within the shaded area as shown using the normal projection position as a starting point.

**Note:** Lens shift feature is not available with NP16FL-4K (rear lens). NP16FL-4K should be used only for "zero degree" / "no-offset" applications.

**Note:** Projector is set out of the box at maximum lens shift, which is how it is depicted above.  
(W: width of projected image, H: height of projected image)

## PX1005QL Installation Guide

Desktop and Ceiling Mount

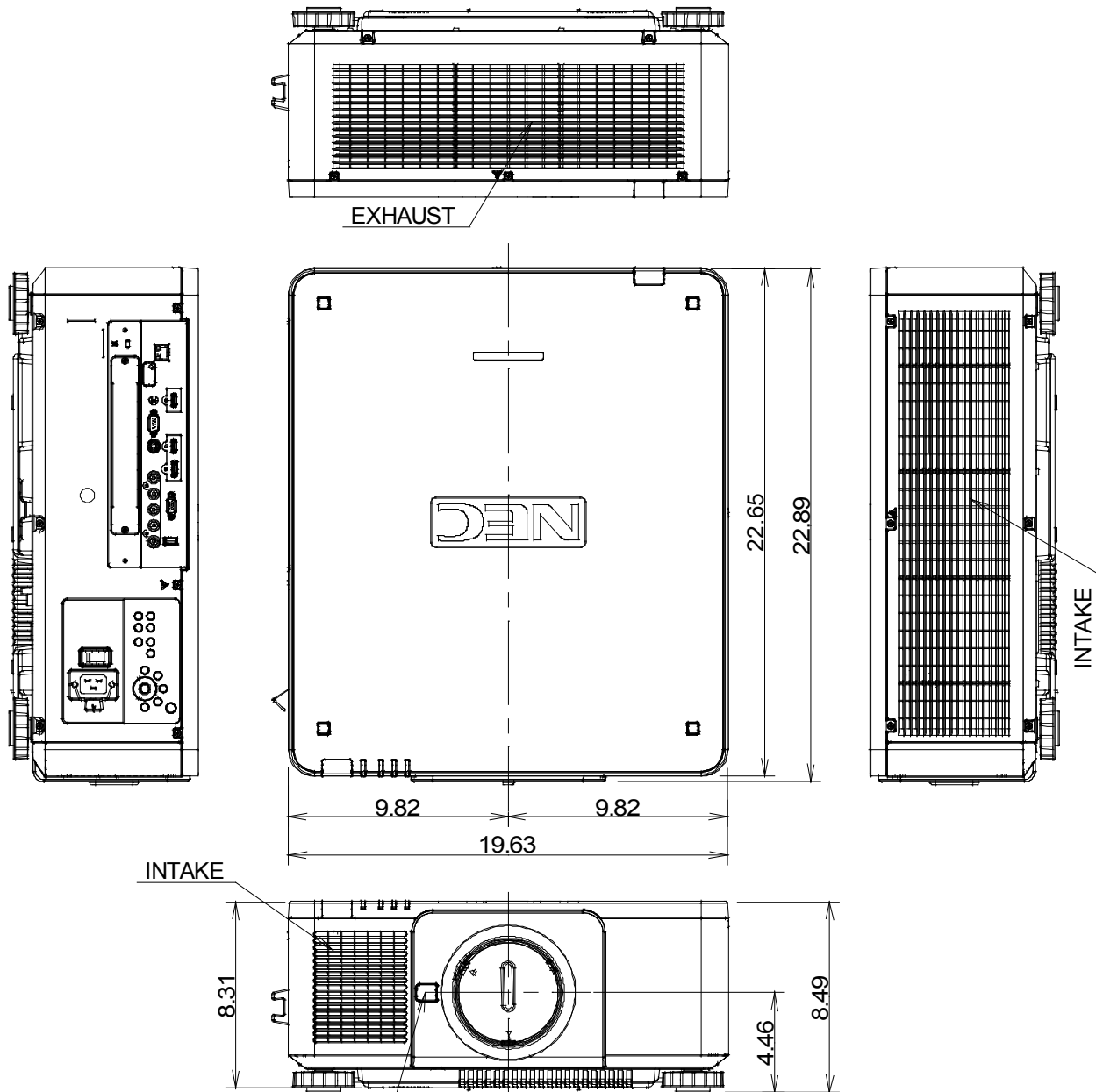
Rev 1.6

### Cabinet Dimensions

The following diagrams show the cabinet dimensions for the PX1005QL.

Dimensions are in inches. For millimeters multiply by 25.4.

Note: Dimensions below shown without a lens



## PX1005QL Installation Guide

Desktop and Ceiling Mount

Rev 1.6

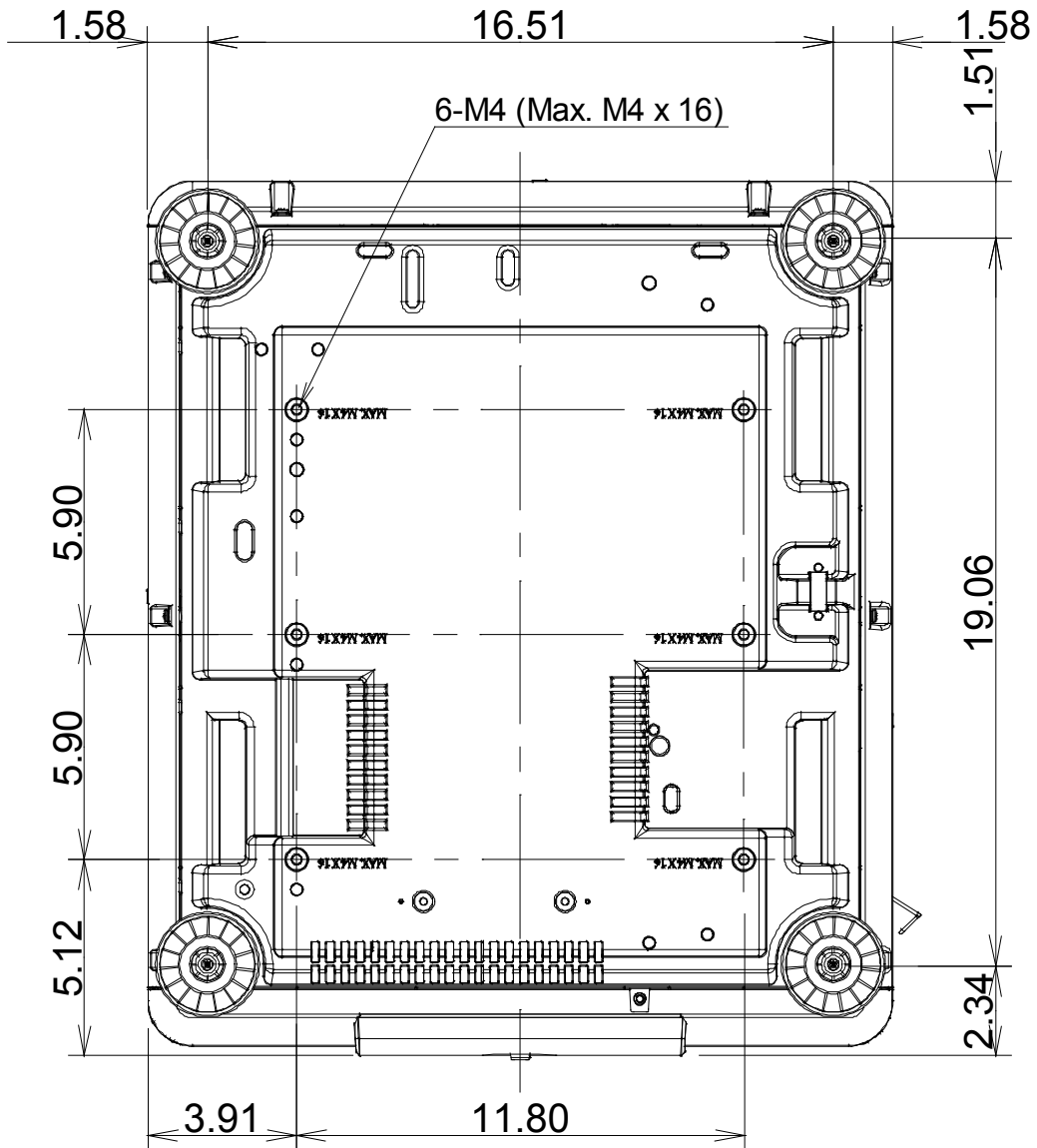
---

## PX1005QL Installation Guide

Desktop and Ceiling Mount

Rev 1.6

### Cabinet Dimensions



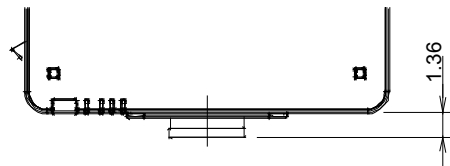
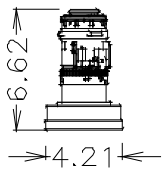


## PX1005QL Installation Guide

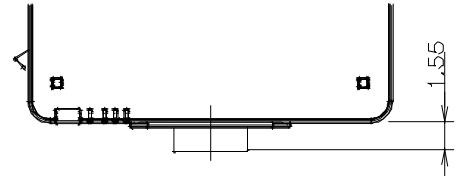
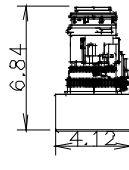
Desktop and Ceiling Mount

Rev 1.6

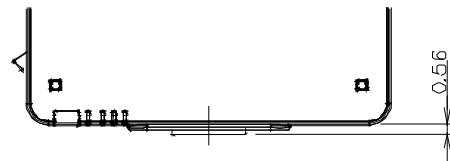
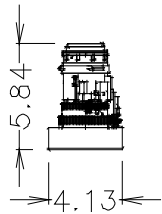
### Optional Lens Dimensions



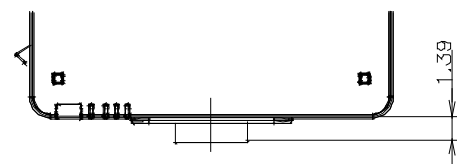
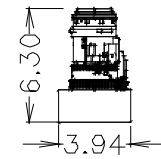
NP16FL-4K



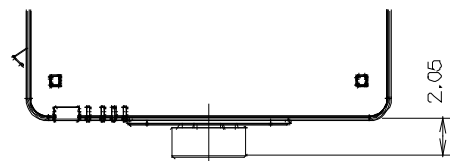
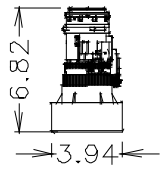
NP17ZL-4K



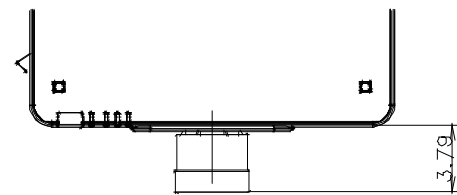
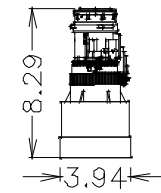
NP18ZL-4K



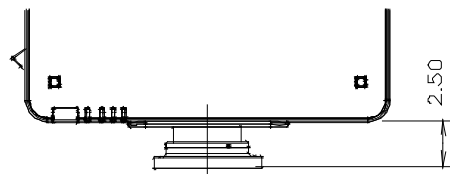
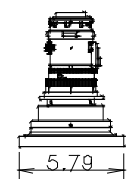
NP19ZL-4K



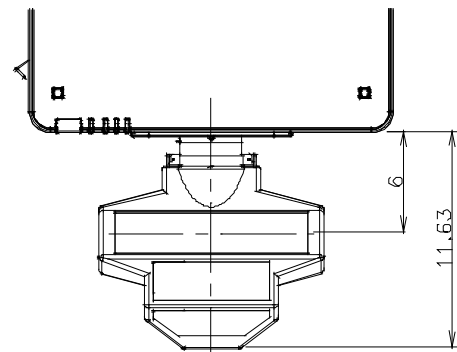
NP20ZL-4K



NP21ZL-4K



NP31ZL-4K



NP39ML-4K

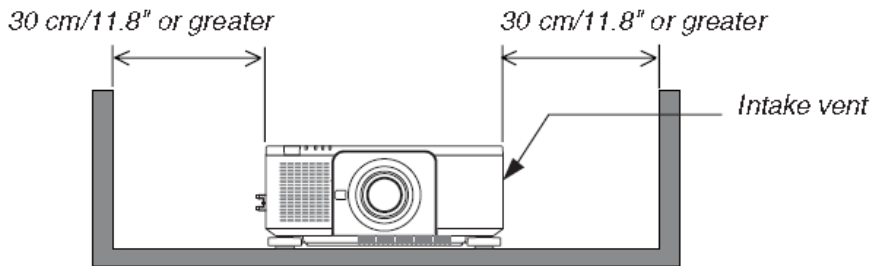
## PX1005QL Installation Guide

Desktop and Ceiling Mount

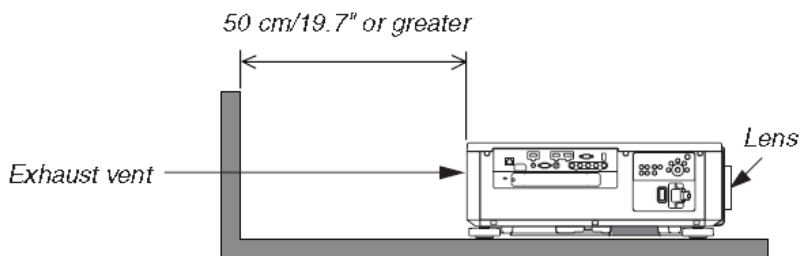
Rev 1.6

### Ventilation Requirements

- If there are walls on both sides of the projector :



- If there's a wall behind the projector :

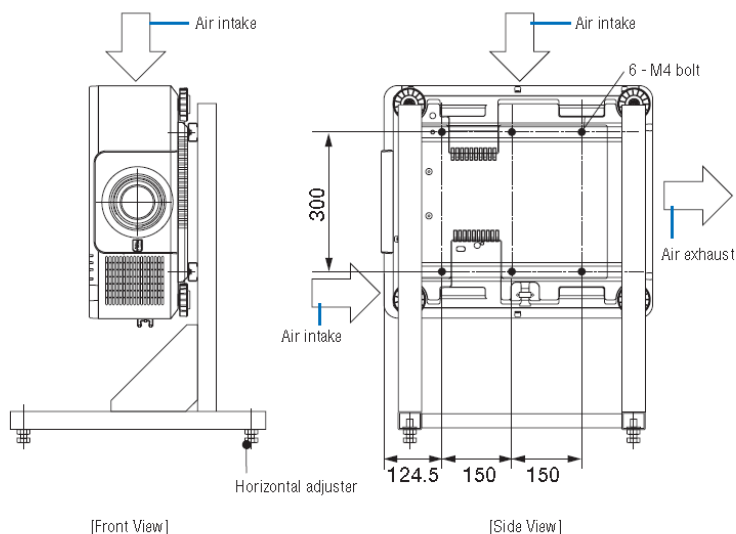


### Portrait Requirements

#### Reference drawings

\* The drawing showing the dimensional requirements is not an actual stand design drawing.

(Unit: mm)



## PX1005QL Installation Guide

Desktop and Ceiling Mount

Rev 1.6

### Regulatory Labels

	<p><b>CAUTION</b>  <b>POSSIBLY HAZARDOUS OPTICAL RADIATION</b>  <b>EMITTED FROM THIS PRODUCT.</b>  <b>DO NOT STARE AT OPERATING LAMP.</b>  <b>MAY BE HARMFUL TO THE EYES.</b>  <b>RISK GROUP 2 IEC 62471:2006</b></p>	<p><b>VORSICHT</b>          Dieses Produkt strahlt eventuelle gefährliche optische Strahlung aus.          Schauen Sie nicht in die eingeschaltete Lampe.          Dies kann Ihre Augen gefährden.  <b>RISIKOGRUPPE 2 IEC 62471:2006</b></p>	<p><b>MISE EN GARDE</b>          Rayonnement optique éventuellement dangereux émis par ce produit.          Ne regardez pas fixement la lampe de fonctionnement.          Cela peut être dangereux pour les yeux.  <b>GROUPE À RISQUE 2 IEC 62471:2006</b></p>
--	---	--	--

	<p><b>COMPLIES WITH 21 CFR 1040.10 AND 1040.11 EXCEPT FOR DEVIATIONS PURSUANT TO LASER NOTICE No. 50, DATED JUNE 24, 2007</b></p>
<p><b>LASER RADIATION</b>          AVOID DIRECT EYE EXPOSURE  <b>CLASS 3R LASER PRODUCT</b>          WAVE LENGTH: 450-460 nm          MAX. PULSE ENERGY: 0.376mJ          PULSE DURATION: 0.74 ms          IEC/EN 60825-1:2007  <b>CLASS 1 LASER PRODUCT</b>          IEC/EN 60825-1:2014</p>	<p>레이저 방사선          육안으로 쳐다보지 말 것          등급 3R 레이저 제품          파장: 450-460nm          최대 펄스 에너지: 0.376mJ          펄스 지속 시간: 0.74ms          IEC/EN 60825-1:2007          등급 1 레이저 제품          IEC/EN 60825-1:2014</p>
<p><b>LASERSTRAHLUNG</b>          DIREKTE EXPOSITION DER AUGEN VERMEIDEN  <b>LASERPRODUKT DER KLASSE 3R</b>          WELLENLÄNGE: 450-460 nm          MAX. PULSENERGIE: 0,376 mJ          IMPULSDAUER: 0,74 ms          IEC/EN 60825-1:2007  <b>LASERPRODUKT DER KLASSE 1</b>          IEC/EN 60825-1:2014</p>	
<p><b>RAYONNEMENT LASER</b>          ÉVITER D'EXPOSER DIRECTEMENT LES YEUX  <b>PRODUIT LASER DE CLASSE 3R</b>          LONGUEUR D'ONDE : 450-460 nm          ÉNERGIE D'IMPULSION MAX. : 0,376 mJ          DURÉE DE L'IMPULSION : 0,74 ms          IEC/EN 60825-1:2007  <b>PRODUIT LASER DE CLASSE 1</b>          IEC/EN 60825-1:2014</p>	
<p><b>ЛАЗЕРНОЕ ИЗЛУЧЕНИЕ</b>          ИЗБЕГАЙТЕ ПРЯМОГО ВОЗДЕЙСТВИЯ НА ГЛАЗА  <b>ЛАЗЕРНОЕ ИЗДЕЛИЕ 3R КЛАССА ОПАСНОСТИ</b>          ДЛИНА ВОЛНЫ: 450-460 нм          МАКС. ЭНЕРГИЯ ИМПУЛЬСА: 0,376 мДж          ДЛИТЕЛЬНОСТЬ ИМПУЛЬСА: 0,74 мс          IEC/EN 60825-1:2007  <b>ЛАЗЕРНОЕ ИЗДЕЛИЕ 1 КЛАССА ОПАСНОСТИ</b>          IEC/EN 60825-1:2014</p>	

**LASER APERTURE  
 LASERÖFFNUNG  
 OUVERTURE LASER  
 АПЕРТУРА ЛАЗЕРА  
 레이저 개구부**

## PX1005QL Installation Guide

Desktop and Ceiling Mount

Rev 1.6

### Input Panel



### Control Panel



## PX1005QL Installation Guide

Desktop and Ceiling Mount

Rev 1.6

### PC Control Codes

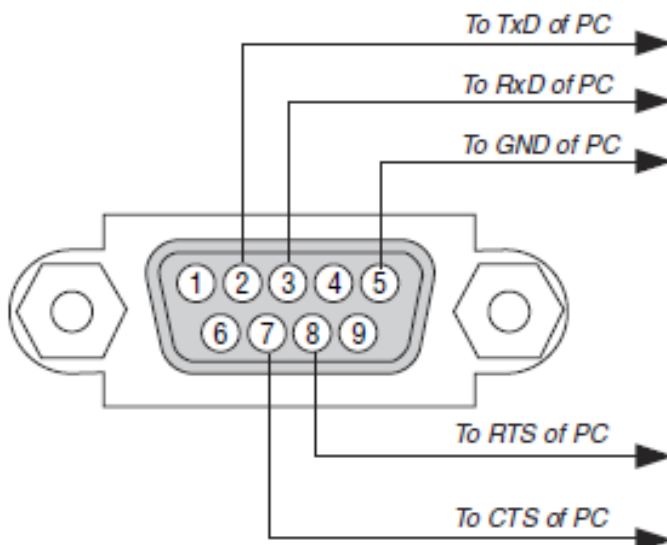
Function	Code Data							
POWER ON	02H	00H	00H	00H	00H	02H		
POWER OFF	02H	01H	00H	00H	00H	03H		
INPUT SELECT HDMI 1	02H	03H	00H	00H	02H	01H	A1H	A9H
INPUT SELECT HDMI 2	02H	03H	00H	00H	02H	01H	A2H	AAH
INPUT SELECT DisplayPort 1	02H	03H	00H	00H	02H	01H	A6H	AEH
INPUT SELECT DisplayPort 2	02H	03H	00H	00H	02H	01H	A7H	AFH
INPUT SELECT HDBaseT	02H	03H	00H	00H	02H	01H	20H	28H
INPUT 3G SDI1	02H	03H	00H	00H	02H	01H	C4H	CCH
INPUT 3G SDI2	02H	03H	00H	00H	02H	01H	C5H	CDH
INPUT 3G SDI3	02H	03H	00H	00H	02H	01H	C6H	CEH
INPUT 3G SDI4	02H	03H	00H	00H	02H	01H	C7H	CFH
INPUT SELECT SLOT	02H	03H	00H	00H	02H	01H	ABH	B3H
PICTURE MUTE ON	02H	10H	00H	00H	00H	12H		
PICTURE MUTE OFF	02H	11H	00H	00H	00H	13H		

### Cable Connection

#### Communication Protocol:

Baud Rate: 38400 bps (for cable lengths longer than 20', it is recommended changing to 9600 bps in setup menu)  
 Data Length: 8 bits  
 Parity: No Parity  
 Stop Bit: One bit  
 X on/off: None  
 Communications: Full duplex

#### PC Control Connector (D-Sub 9P)



## PX1005QL Installation Guide

### Desktop and Ceiling Mount

Rev 1.6

**Note 1 :** Pins 1, 4, 6, and 9 are used inside the projector.

**Note 2:** For long cable runs it is recommended to set communication speed within the projector to 9600 bps.

**Note 3:** Jumper "Request to Send" and "Clear to Send" together on both ends of the cable to simplify cable connection.