

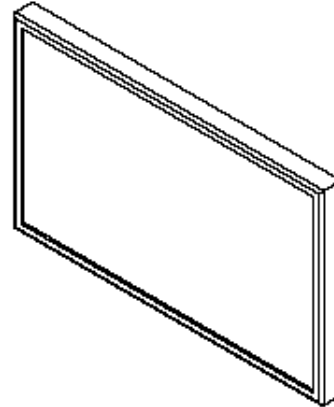
## P462 Installation Guide

### 46" LCD Display

Rev 1.0

#### Contents:

|  |        |
|--|--------|
| Product Description and Notes                  | Page 1 |
| Tilt Angle and Rotation                        | Page 1 |
| Ventilation Recommendations                    | Page 2 |
| Display Dimensions                             |        |
| Front, Top, Right and Left Side                | Page 3 |
| Rear & Bottom                                  | Page 4 |
| Display Dimensions w/Optional Stand            | Page 5 |
| Optional Table Top Stand Dimensions            | Page 6 |
| Optional Speaker Dimensions                    | Page 7 |
| Dimensions with Optional Wall Mount (WMK-3257) | Page 8 |
| Input Panels                                   | Page 9 |
| Control Codes                                  | Page 9 |



#### Product Description

Type: LCD Display  
 Resolution: 1920 x 1080  
 Aspect Ratio: 16:9  
 FCC: Class B  
 Power Consumption: 155W (max)  
 BTU's: 528.88 BTU/hour

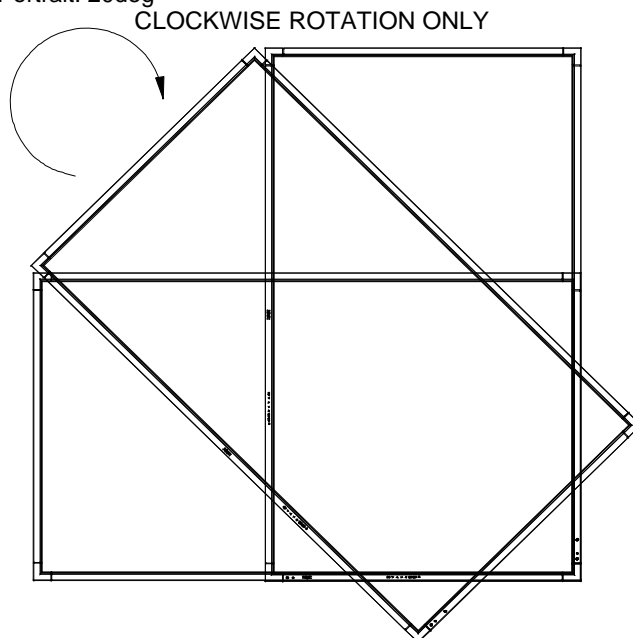
Screen Surface: Anti-Reflective  
 Dimensions without stand: 41.6"(W) x 24.0"(H) x 4.1"(D)  
 Dimensions with stand: 41.6"(W) x 25.4"(H) x 13.8" (D)  
 Weight without stand: 52.5 lbs / 23.8 kg  
 Weight with stand: 56.7 lbs / 25.7 kg

#### NOTES:

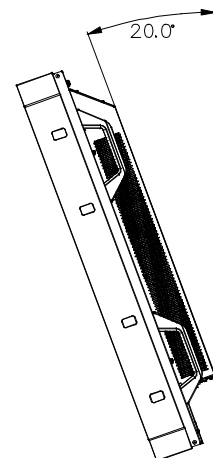
- This document is intended to be used as a reference guide to supply useful information for a design or installation. It is not intended to be a step-by step procedure for installation.
- Any ceilings or walls must be strong enough to support the monitor and the installation must be in accordance with any local building codes. All mounts should make secure contact to wood studs.
- 4:3 sources can be displayed on the 16:9 screen in either normal aspect ratio with bars on the left or right, or stretched horizontally to fill the screen using the menus (see "Aspect Modes" in menus and user manual).
- Distances are in inches, for millimeters multiply by 25.4.

#### Tilt Angle and Rotation

Below are the maximum angles that the monitor can be tilted in the landscape position only.  
 Landscape/Portrait: 20deg



CLOCKWISE ROTATION ONLY



MAXIMUM TILT ANGLE

## P462 Installation Guide

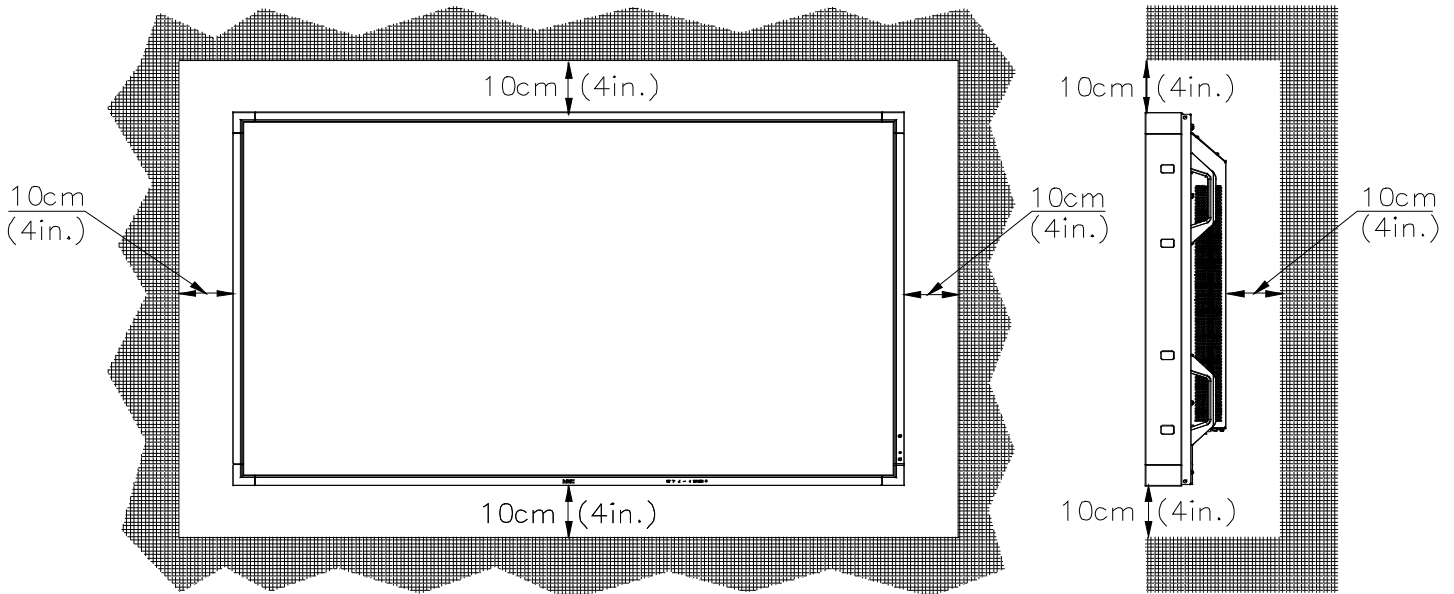
46" LCD Display

Rev 1.0

### Ventilation Recommendations (all models):

Dimensions below are minimum recommended for proper ventilation.

Operating Temperature:  
Landscape: 5–40 C, 41–104 F  
Portrait: 5–40 C, 41–104 F



**NOTE:**

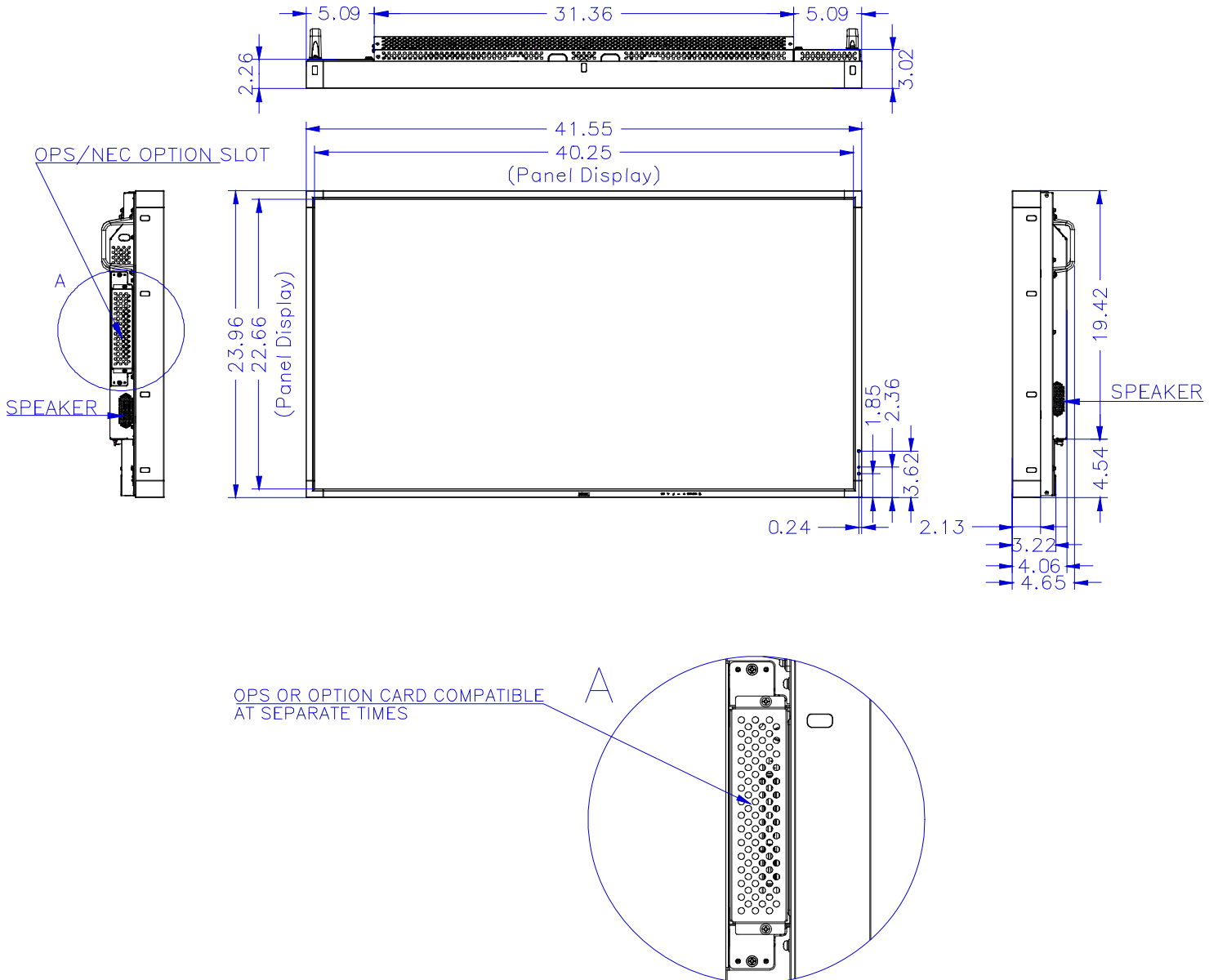
The ventilation space should not be covered or closed off at the front of the opening. If for some reason the opening needs to be covered, other means of ventilation will need to be incorporated into the design. Contact NEC for design review and recommendations.

## P462 Installation Guide

46" LCD Display

Rev 1.0

### Display dimensions:

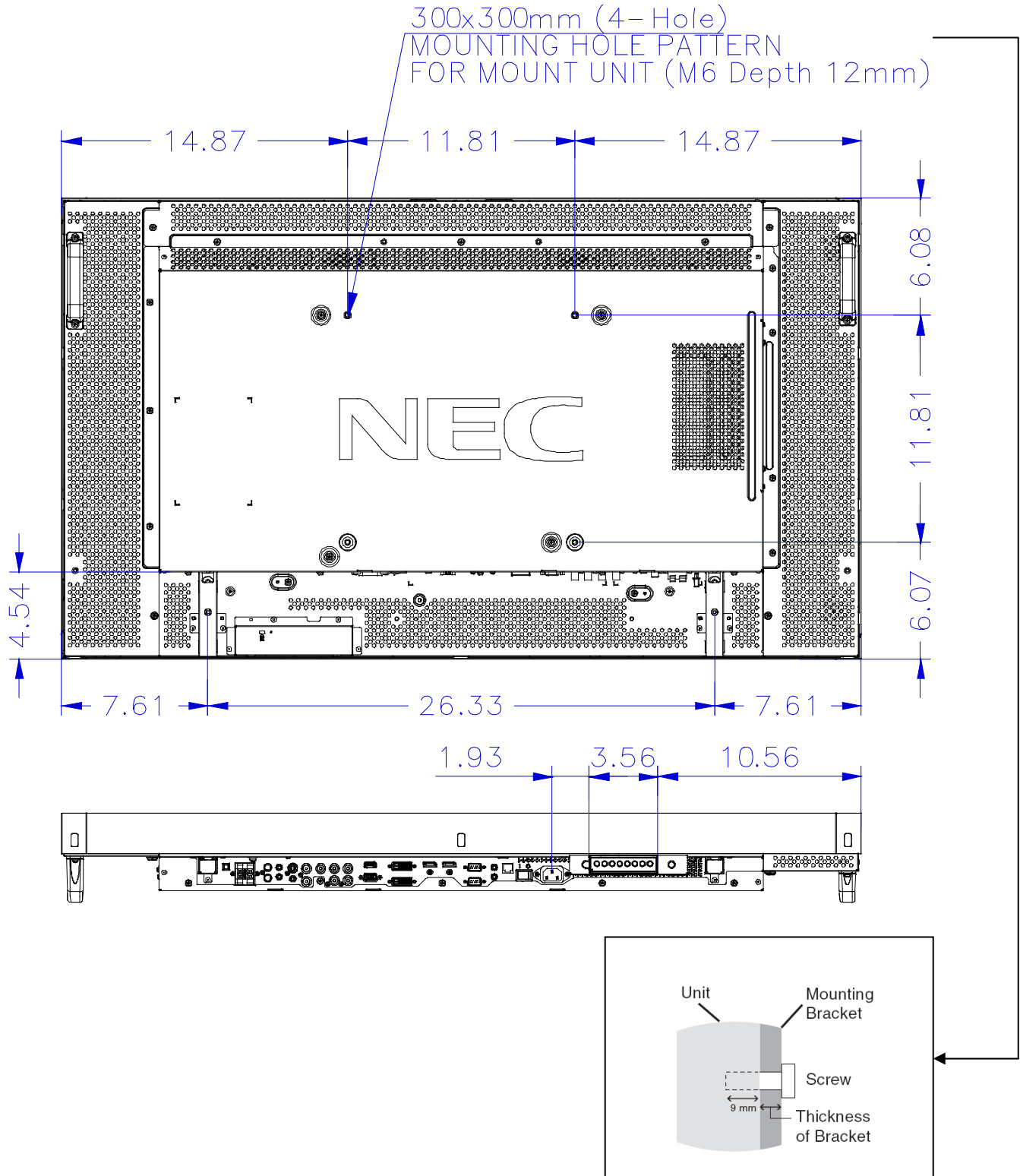


## P462 Installation Guide

46" LCD Display

Rev 1.0

### Display dimensions (cont.):

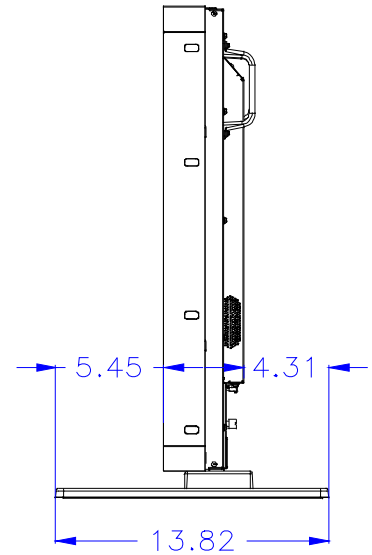
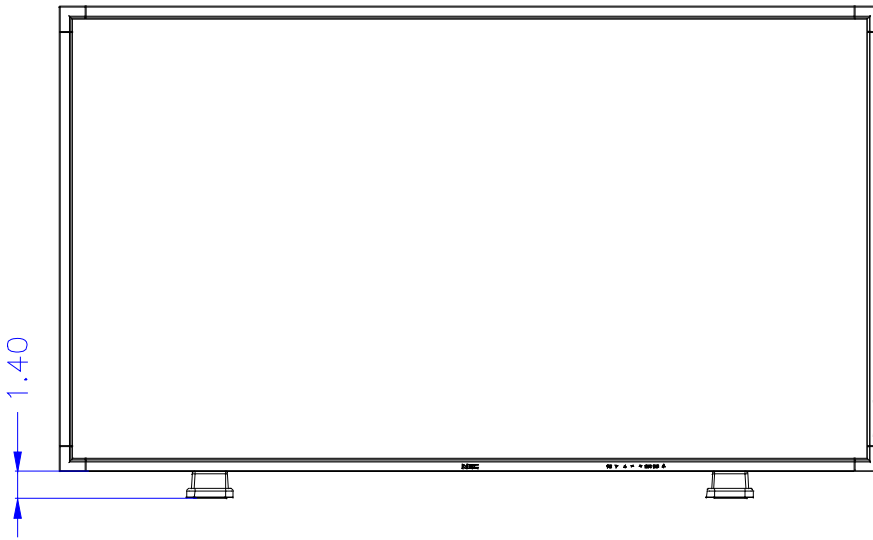
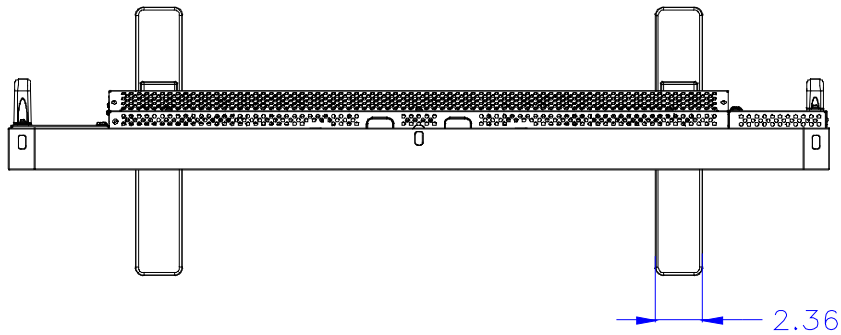


## P462 Installation Guide

46" LCD Display

Rev 1.0

### Dimensions with optional stand:

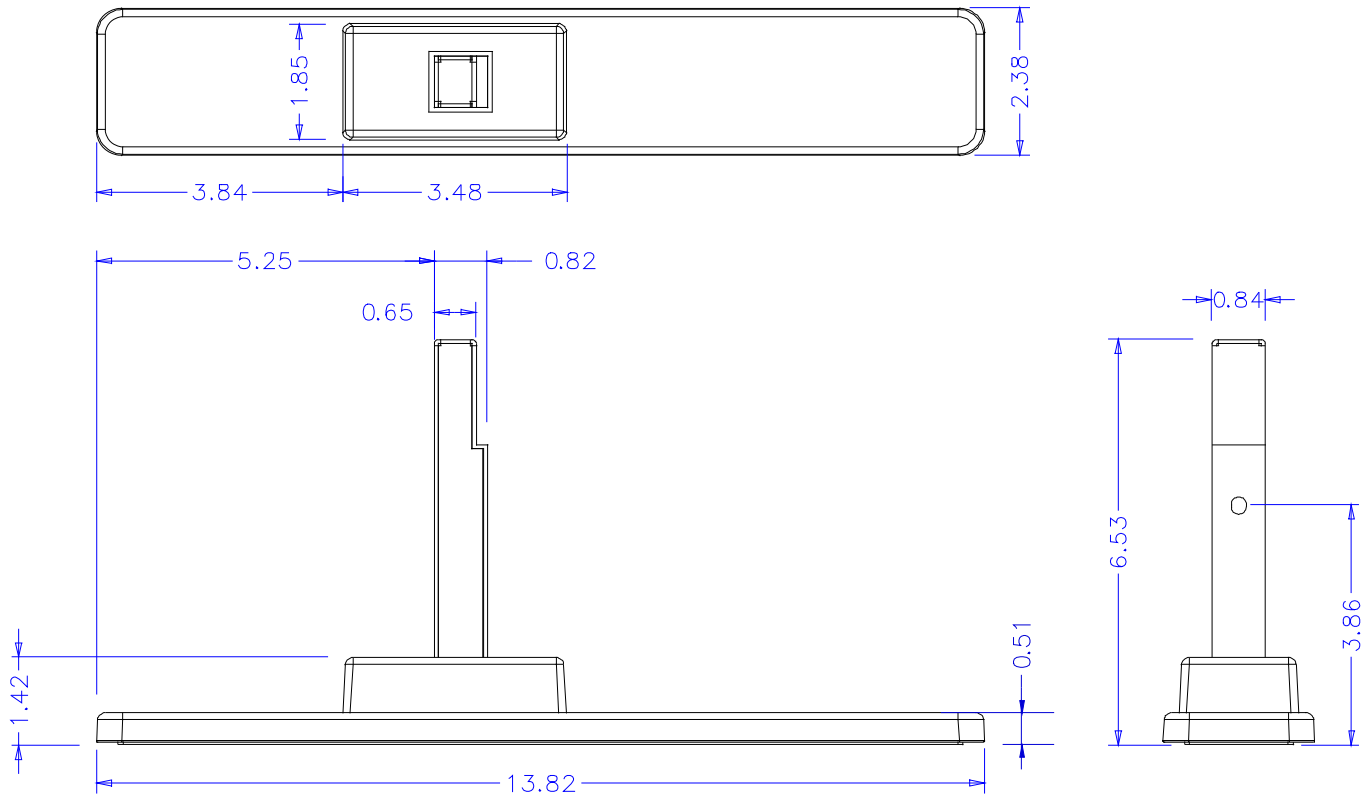


## P462 Installation Guide

46" LCD Display

Rev 1.0

### Optional Table Top Stand Dimensions (ST-4620):

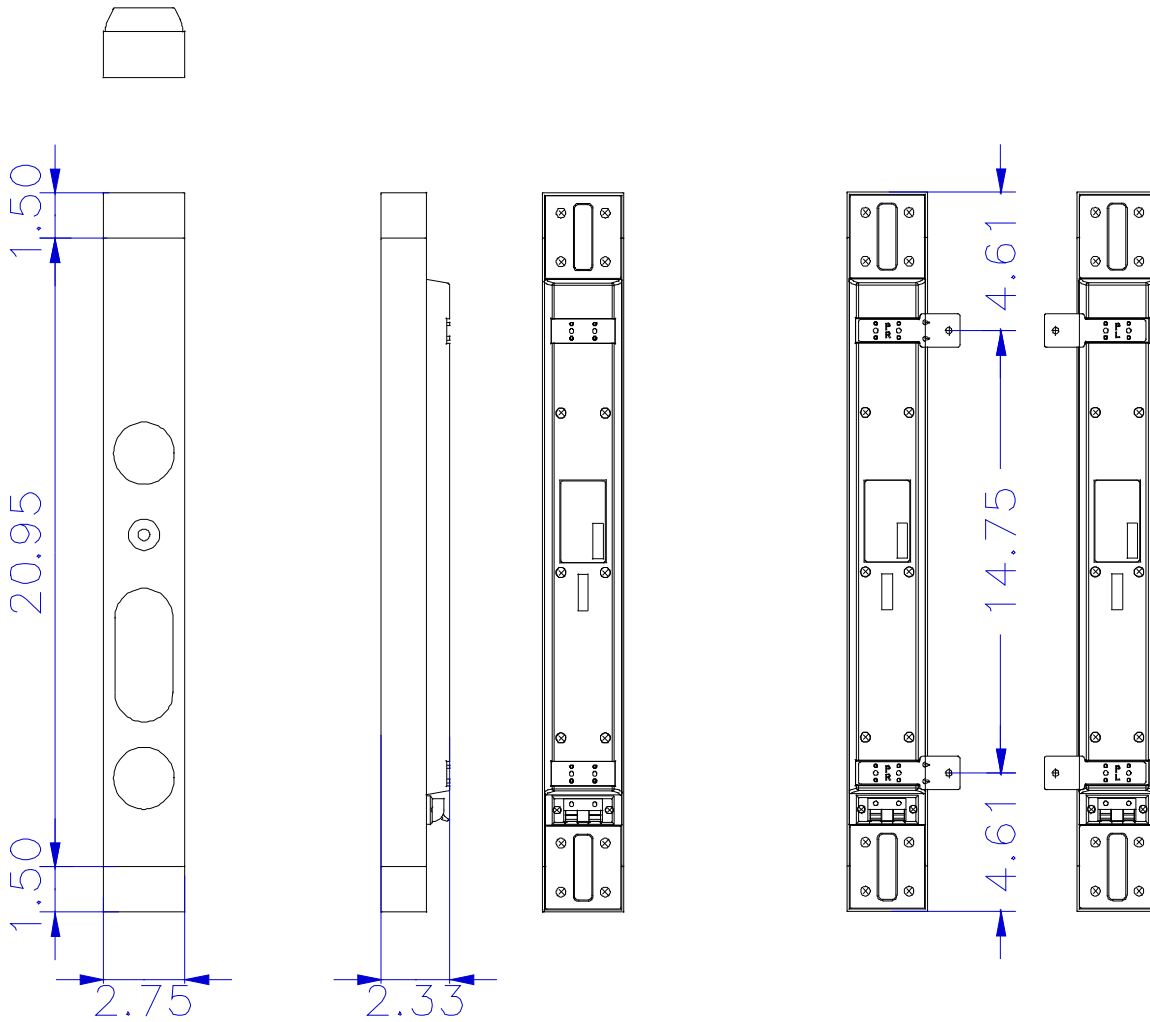


## P462 Installation Guide

46" LCD Display

Rev 1.0

### Optional Speaker Dimensions (SP-4046PV):

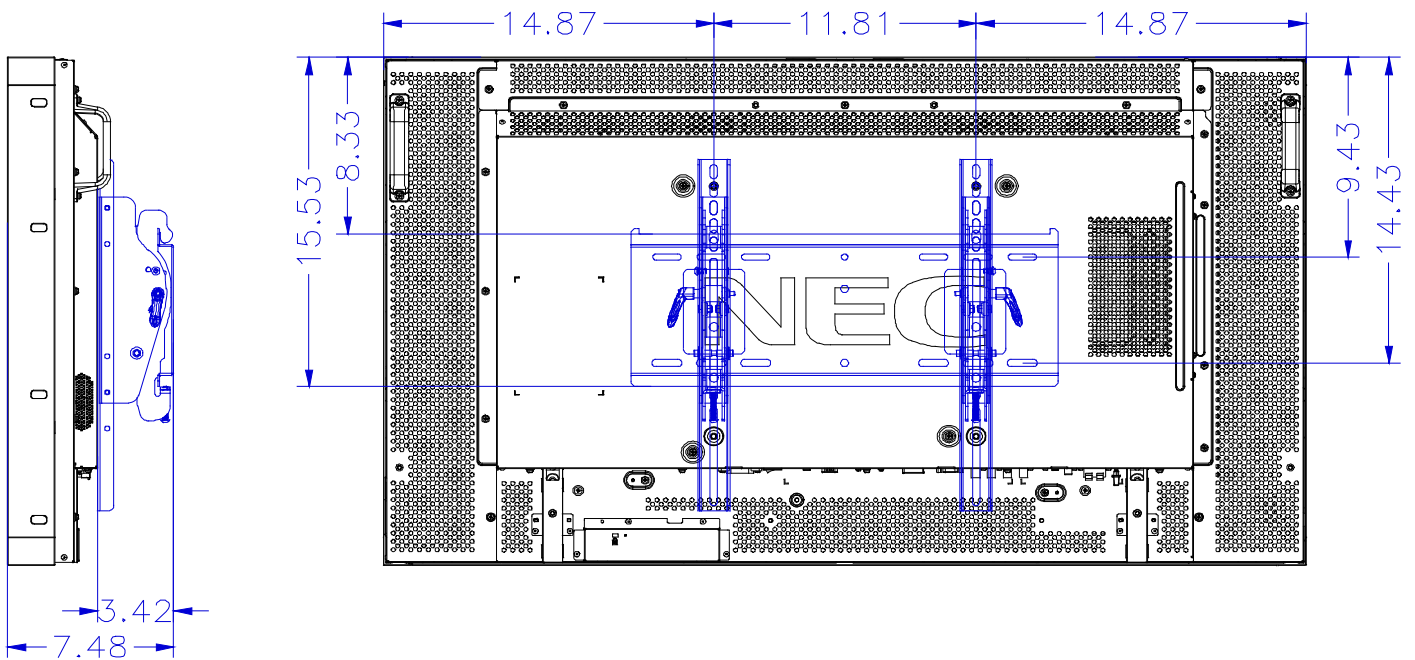


## P462 Installation Guide

46" LCD Display

Rev 1.0

### Dimensions with Optional Wall Mount Kit (WMK3257):



**NOTE:** Vertical rails on WMK-3257 are shown with 400mm extension rail attached. Extension rails included with mount.



## P462 Installation Guide

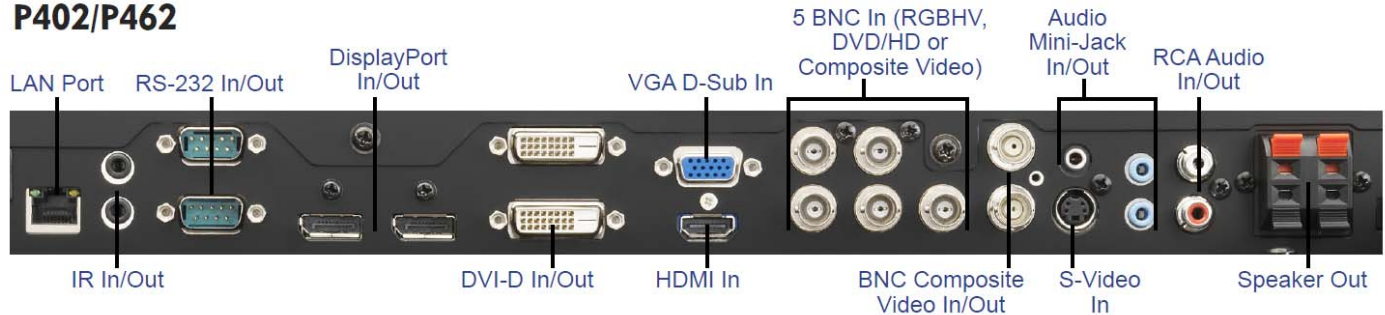
46" LCD Display

Rev 1.0

### Input Panels:

Bottom:

#### P402/P462



### Control Codes:

| Function     |                   | Code Data  |
|--------------|-------------------|--|
| POWER        | ON                | 01 30 41 30 41 30 43 02 43 32 30 33 44 36 30 30 30 31 03 73 0D |
|              | OFF               | 01 30 41 30 41 30 43 02 43 32 30 33 44 36 30 30 30 34 03 76 0D |
| INPUT SWITCH | VGA (15pin HD)    | 01 30 41 30 45 30 41 02 30 30 36 30 30 30 30 31 03 73 0D       |
|              | RGBHV             | 01 30 41 30 45 30 41 02 30 30 36 30 30 30 30 32 03 70 0D       |
|              | DVI               | 01 30 41 30 45 30 41 02 30 30 36 30 30 30 30 33 03 71 0D       |
|              | HDMI              | 01 30 41 30 45 30 41 02 30 30 36 30 30 30 30 34 03 76 0D       |
|              | VIDEO (Composite) | 01 30 41 30 45 30 41 02 30 30 36 30 30 30 30 35 03 77 0D       |
|              | DVD/HD            | 01 30 41 30 45 30 41 02 30 30 36 30 30 30 30 43 03 01 0D       |
| AUDIO MUTE   | ON                | 01 30 41 30 45 30 41 02 30 30 38 44 30 30 30 31 03 09 0D       |
|              | OFF               | 01 30 41 30 45 30 41 02 30 30 38 44 30 30 30 32 03 0A 0D       |
| PICTURE MODE | sRGB              | 01 30 41 30 45 30 41 02 30 32 31 41 30 30 30 31 03 07 0D       |
|              | HIBRIGHT          | 01 30 41 30 45 30 41 02 30 32 31 41 30 30 30 33 03 05 0D       |
|              | STANDARD          | 01 30 41 30 45 30 41 02 30 32 31 41 30 30 30 34 03 02 0D       |
|              | CINEMA            | 01 30 41 30 45 30 41 02 30 32 31 41 30 30 30 35 03 03 0D       |
|              | SCREEN MODE:      | NORMAL   |
| AUTO SETUP   | FULL              | 01 30 41 30 45 30 41 02 30 32 37 30 30 30 30 32 03 73 0D       |
|              | WIDE              | 01 30 41 30 45 30 41 02 30 32 37 30 30 30 30 33 03 72 0D       |
|              | ZOOM              | 01 30 41 30 45 30 41 02 30 32 37 30 30 30 30 34 03 75 0D       |
|              | EXECUTE           | 01 30 41 30 45 30 41 02 30 30 31 45 30 30 30 31 03 01 0D       |

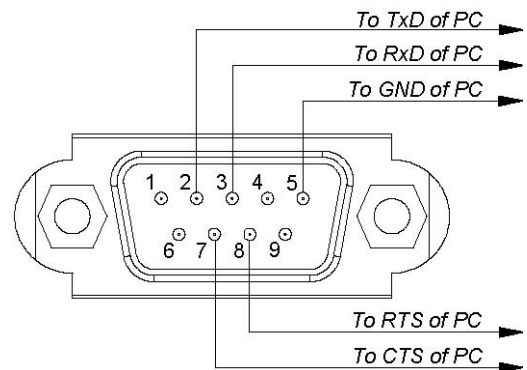
**NOTE:** Contact your NEC rep for codes not listed.  
**NOTE:** Use a cross/reverse/null modem cable.

### Cable Connection:

#### Communication Protocol:

Interface: RS-232C  
 Communication: Asynchronous  
 Baud Rate: 9600 bps  
 Data Length: 8 bits

Parity: None  
 Stop Bit: 1 bit  
 Communication Code: Hex



#### PC Control Connector (D-Sub 9P)

**NOTE:** If so desired, jumper "Request to send" and "Clear to Send" together on both ends of the cable to simplify cable connection. These connections are not required. The only connections required are pins 2 (TxD), 3 (RxD) and 5 (GND)