

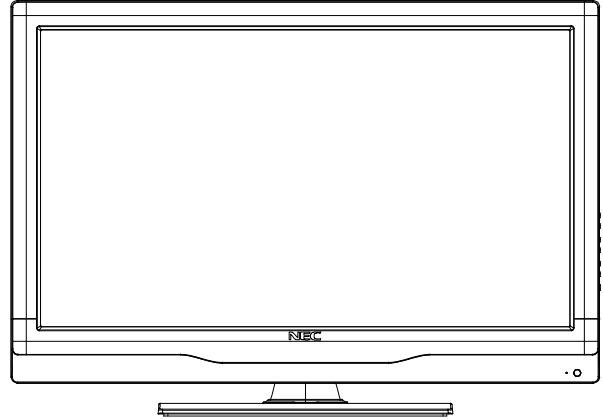
E322 Installation Guide

32" LCD Display

Rev 1.1

Contents

| | |
|---|--------|
| Product Description and Notes | Page 1 |
| Ventilation Recommendations | Page 2 |
| Display Dimensions | |
| Front, Top, Right, Left | Page 3 |
| Rear | Page 4 |
| Optional Wall Mount Dimensions (WMK-3257) | Page 5 |
| Input Panels | Page 6 |
| Control Codes | Page 7 |



Product Description

Type: LCD Display
Resolution: 1366 x 768
Aspect Ratio: 16:9
FCC: Class B
Power Consumption: 105W (typ)
BTU's: 358.28 BTU/hour

Screen Surface: Anti-Reflective
Dimensions without stand: 30.7"(W) x 20.1"(H) x 3.1"(D)
Dimensions with stand: 30.7"(W) x 21.8"(H) x 8.7"(D)
Weight without stand: 19.8 lbs
Weight with stand: 24.2 lbs

NOTES:

- This document is intended to be used as a reference guide to supply useful information for a design or installation. It is not intended to be a step-by-step procedure for installation.
- Any ceilings or walls must be strong enough to support the monitor and the installation must be in accordance with any local building codes. All mounts should make secure contact to wood studs.
- This unit is built to sustain Landscape orientation only.
- Distances are in inches, for millimeters multiply by 25.4.
- Distances may vary $\pm 5\%$.

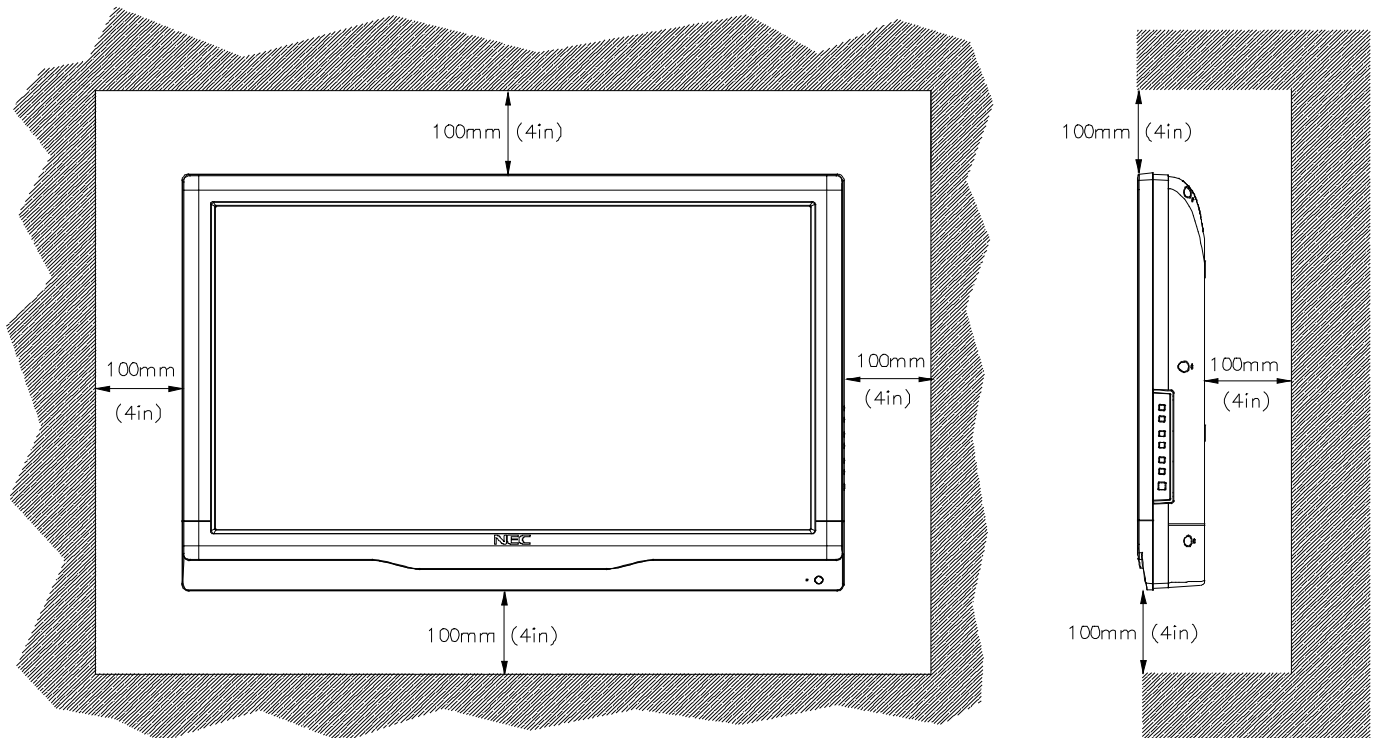
E322 Installation Guide

32" LCD Display

Rev 1.1

Ventilation Recommendations (all models)

Dimensions below are minimum recommended for proper ventilation.



NOTE:

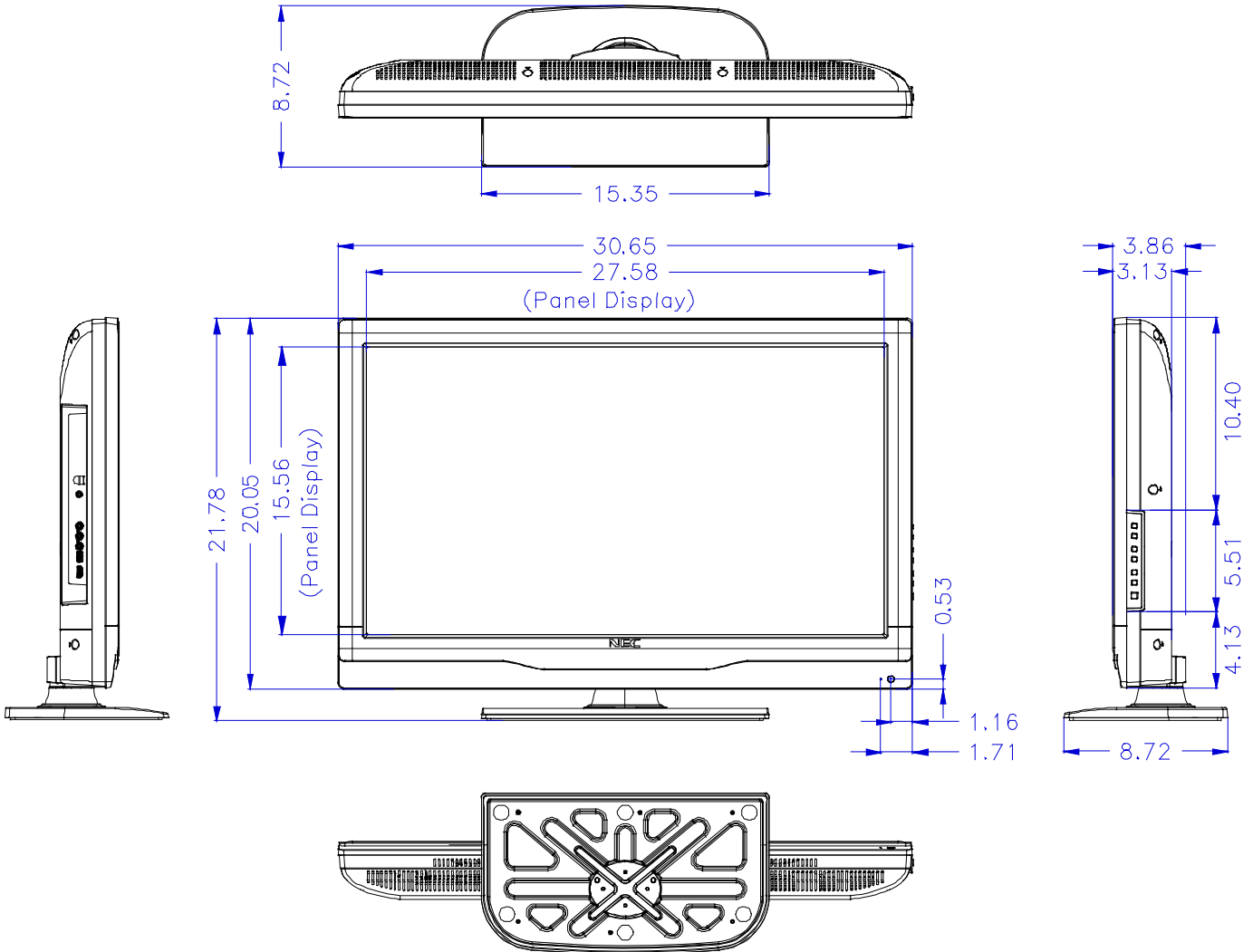
- The ventilation space should not be covered or closed off at the front of the opening. If for some reason the opening needs to be covered, other means of ventilation will need to be incorporated into the design. Contact NEC for design review and recommendations.

E322 Installation Guide

32" LCD Display

Rev 1.1

Display dimensions



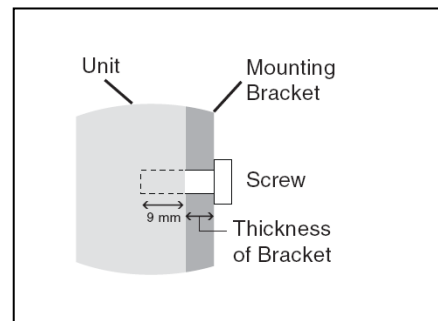
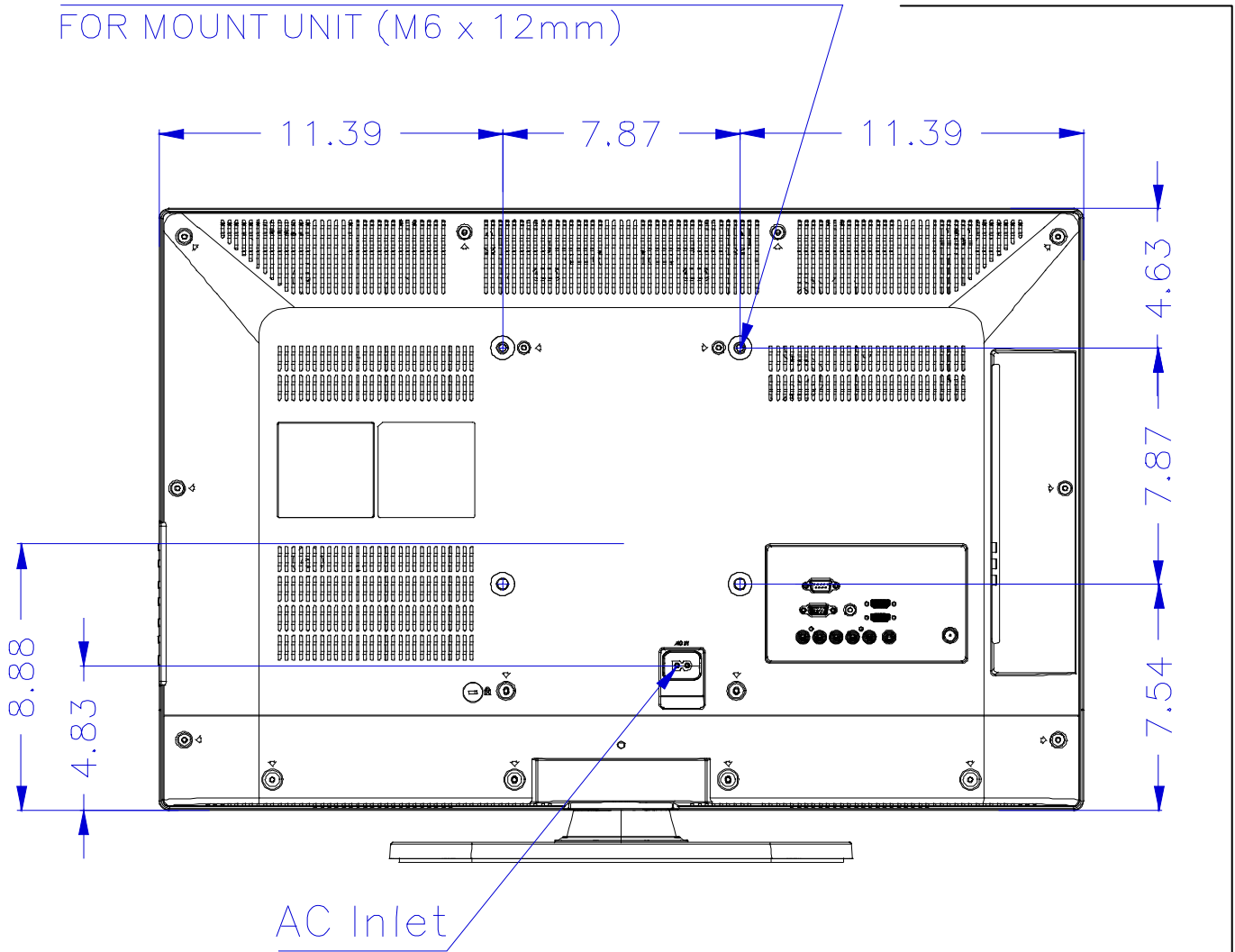
E322 Installation Guide

32" LCD Display

Rev 1.1

Display dimensions (cont.)

200mm x 200mm MOUNTING HOLE PATTERN
FOR MOUNT UNIT (M6 x 12mm)

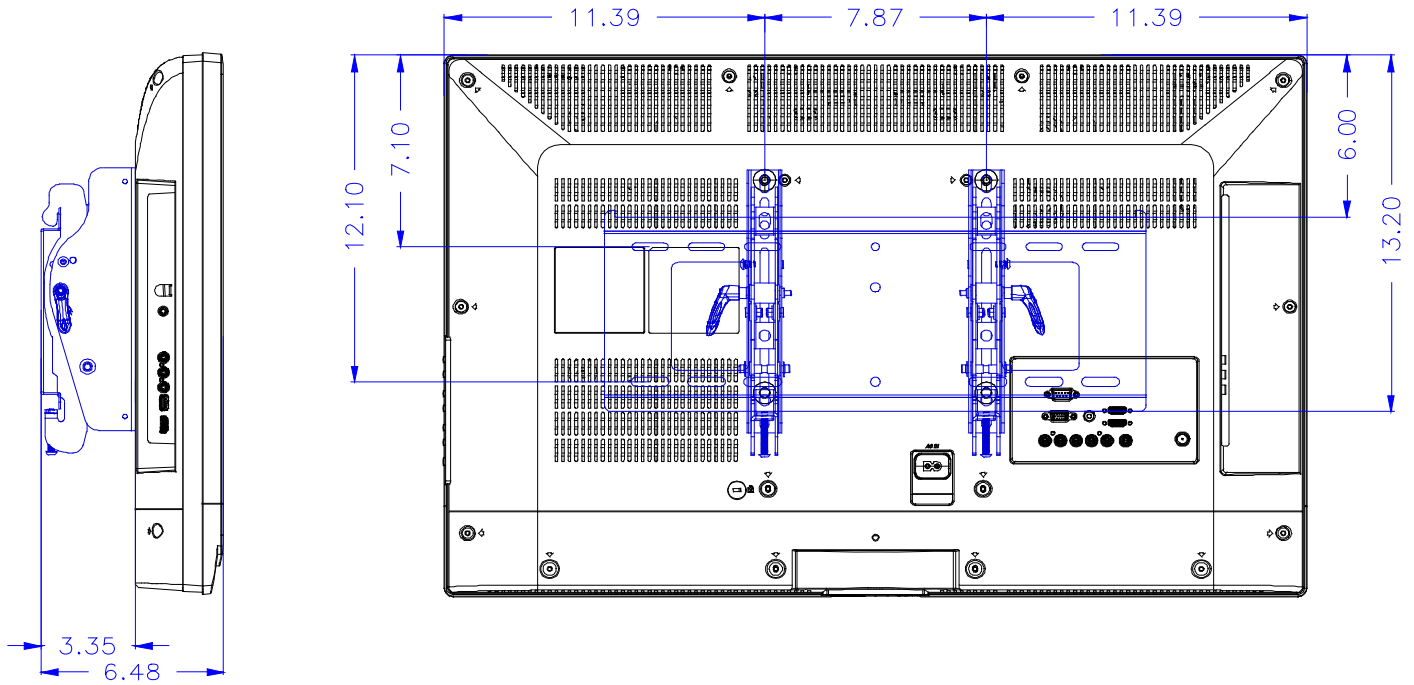


E322 Installation Guide

32" LCD Display

Rev 1.1

Dimensions with optional Wall Mount Kit (WMK-3257)



E322 Installation Guide

32" LCD Display

Rev 1.1

Input Panels

Back:



Side (Rotated):



E322 Installation Guide

32" LCD Display

Control Codes

| Function | | Code Data |
|-----------------------|------------------------|--|
| POWER | ON | 01 30 41 30 41 30 43 02 43 32 30 33 44 36 30 30 30 31 03 73 0D |
| | OFF | 01 30 41 30 41 30 43 02 43 32 30 33 44 36 30 30 30 34 03 76 0D |
| INPUT SWITCH | VGA (15pin HD) | 01 30 41 30 45 30 41 02 30 30 36 30 30 30 30 31 03 73 0D |
| | HDMI1 | 01 30 41 30 45 30 41 02 30 30 36 30 30 30 31 31 03 72 0D |
| | HDMI2 | 01 30 41 30 45 30 41 02 30 30 36 30 30 30 31 32 03 71 0D |
| | HDMI3 | 01 30 41 30 45 30 41 02 30 30 36 30 30 30 31 33 03 70 0D |
| | Video (Composite) | 01 30 41 30 45 30 41 02 30 30 36 30 30 30 30 35 03 77 0D |
| | TV | 01 30 41 30 45 30 41 02 30 30 36 30 30 30 30 30 31 03 03 0D |
| AUDIO MUTE | Video (Component) | 01 30 41 30 45 30 41 02 30 30 36 30 30 30 30 43 03 01 0D |
| | ON | 01 30 41 30 45 30 41 02 30 30 38 44 30 30 30 31 03 09 0D |
| KEY LOCK | OFF | 01 30 41 30 45 30 41 02 30 30 38 44 30 30 30 32 03 0A 0D |
| | All Buttons | 01 30 41 30 45 30 41 02 30 30 46 42 30 30 30 31 03 71 0D |
| | Control Buttons Only | 01 30 41 30 45 30 41 02 30 30 46 42 30 30 30 31 03 71 0D |
| VGA AUTO SETUP | Unlock | 01 30 41 30 45 30 41 02 30 30 46 42 30 30 30 30 03 70 0D |
| | | 01 30 41 30 45 30 41 02 30 30 31 45 30 30 30 31 03 01 0D |
| TV CHANNEL | Up | 01 30 41 30 45 30 41 02 30 30 38 42 30 30 30 31 03 0F 0D |
| | Down | 01 30 41 30 45 30 41 02 30 30 38 42 30 30 30 32 03 0C 0D |
| Analog Closed Caption | Off | 01 30 41 30 45 30 41 02 31 30 38 34 30 30 30 31 03 78 0D |
| | CC1 | 01 30 41 30 45 30 41 02 31 30 38 34 30 30 30 32 03 7B 0D |
| | CC2 | 01 30 41 30 45 30 41 02 31 30 38 34 30 30 30 33 03 7A 0D |
| | CC3 | 01 30 41 30 45 30 41 02 31 30 38 34 30 30 30 34 03 7D 0D |
| | CC4 | 01 30 41 30 45 30 41 02 31 30 38 34 30 30 30 35 03 7C 0D |
| | TT1 | 01 30 41 30 45 30 41 02 31 30 38 34 30 30 30 36 03 7F 0D |
| | TT2 | 01 30 41 30 45 30 41 02 31 30 38 34 30 30 30 37 03 7E 0D |
| | TT3 | 01 30 41 30 45 30 41 02 31 30 38 34 30 30 30 38 03 71 0D |
| | TT4 | 01 30 41 30 45 30 41 02 31 30 38 34 30 30 30 39 03 70 0D |
| | Digital Closed Caption | Off |
| Srv1 | | 01 30 41 30 45 30 41 02 31 30 41 31 30 30 30 32 03 07 0D |
| Srv2 | | 01 30 41 30 45 30 41 02 31 30 41 31 30 30 30 33 03 06 0D |
| Srv3 | | 01 30 41 30 45 30 41 02 31 30 41 31 30 30 30 34 03 01 0D |
| Srv4 | | 01 30 41 30 45 30 41 02 31 30 41 31 30 30 30 35 03 00 0D |
| Srv5 | | 01 30 41 30 45 30 41 02 31 30 41 31 30 30 30 36 03 03 0D |
| Srv6 | | 01 30 41 30 45 30 41 02 31 30 41 31 30 30 30 37 03 02 0D |

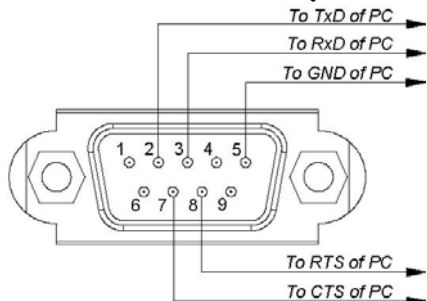
NOTE: The above list contains all the compatible external communication codes for the E322.

Cable Connection

Communication Protocol:

| | | | |
|----------------|--------------|---------------------|-------|
| Interface: | RS-232C | Parity: | None |
| Communication: | Asynchronous | Stop Bit: | 1 bit |
| Baud Rate: | 9600 bps | Communication Code: | Hex |
| Data Length: | 8 bits | | |

PC Control Connector (D-Sub 9P)



NOTE: If so desired, jumper "Request to send" and "Clear to Send" together on both ends of the cable to simplify cable connection. These connections are not required. The only connections required are pins 2 (TxD), 3 (RxD) and 5 (GND).