

# Showcase Series™

## 42VR5 digital plasma display.



BEST IN CLASS IMAGE QUALITY

ACCURATE IMAGE REPRODUCTION

AWARD-WINNING PRODUCT  
RELIABILITY AND SERVICE

EXCEPTIONAL CONTRAST AND  
BRIGHTNESS NO MATTER WHAT THE  
VIEWING ENVIRONMENT

FLEXIBLE FEATURES FOR ANY HOME  
ENVIRONMENT

Designed to fit seamlessly into your home, NEC's residential entertainment plasma displays deliver crystal clear images every time.

### CRYSTAL CLEAR LARGER THAN LIFE IMAGES

- **NEC plasma displays provide a superior image every time.**
- **Capsulated Color Filter (CCF) and AccuCrimson Filter technology** produces the truest most vivid real to life colors.
- **Advanced AccuBlend™** converts non-native resolutions to the resolution of the display for flawless images.
- **Digital AccuDevice** allows for digital video processing for artifact and noise free video.
- **Mass Area Superior Sampling (MASS)** makes certain that your video is reproduced in a clear, precise way by eliminating jaggies and color bleeds.
- **Color Tune Technology** allows you to adjust individual colors without affecting the white balance. Fine tune the blues in skies or the greens in the trees.
- **Gamma 12** provides the highest color processing in a plasma display at 68.7 billion colors (4096 steps) resulting in details in the dark areas like never seen before.
- **High brightness and contrast** allows for commanding video in most viewing environments.

### DESIGNED SPECIFICALLY TO MEET THE CHANGING NEEDS AT HOME

- **Sleep timer** allows for automatic shut off.
- **Extensive connections** to virtually any source including a satellite receiver, DVD, VCR, computer, video games and more.
- **DVI with HDCP** allows you to display HD content that is protected.
- **Compliment any room** with a full assortment of accessories from NEC.
- **Direct source selection from remote.**
- **Multiple aspect ratio modes** display the image based on the source or viewer's preference.
- **NEC offers high altitude flexibility** as a standard feature (up to 9180 ft).
- **Extremely quiet operation** enables you to listen to your movie, not your equipment.

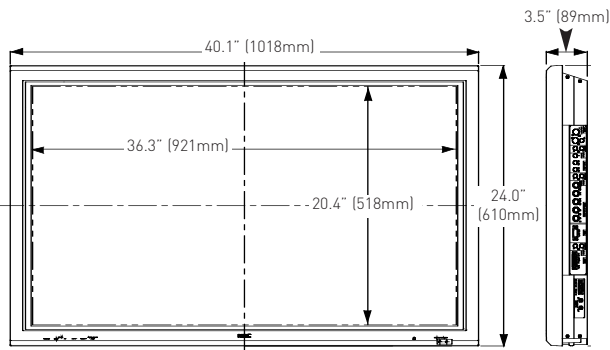
### TOUGH ENOUGH FOR EVEN THE MOST DEMANDING HOUSEHOLDS.

- **Long lasting** up to 60,000 hour life (that's 20 years, 8 hours a day!)
- **Unsurpassed product reliability and service.** Ranked #1 by PAC Media Associates 2004 Annual Resellers Survey for product quality/reliability.
- **Low power consumption.**
- **AccuShield phosphor protection system** with the most comprehensive set of built-in modes to safeguard screen from phosphor-based image retention.

*Because It's your Image*

**NEC**

Empowered by Innovation



# Showcase Series™

## 42VR5 digital plasma display.

### SPECIFICATIONS

Model Number	PX-42VR5A, Diagonal Screen Size 42"	
Screen Aspect Ratio	16 to 9	
Active Screen Area	36.3 x 20.4 in, 921 x 518 mm	
Native Pixel Resolution	WVGA 853 x 480	
Pixel Pitch	1.08 mm square	
Color Processing	68.7 billion colors (4096 steps)	
Viewing Angle	160 degrees	
Half Life	60,000 hours	
Filter Type	Anti-reflective	
Scan Rate	Horizontal	15.5 to 110.0 kHz auto, step scan
	Vertical	51 to 120 Hz auto, step scan
Supported Video Standards	PAL, SECAM, 3.58/4.43 NTSC, ATSC	
SD/HD Video Signal	480i, 480p, 525i, 525p, 540p, 625i, 625p, 720p, 1035i, 1080i	
Compatibility		
PC Signal Compatibility	VGA, SVGA, XGA, SXGA, UXGA, WideVGA (848x480, 852x480), WideXGA (1360x768)	
Macintosh Compatibility	Yes	
Input/Output Terminals	RGB 1 (analog)	15-pin mini D-sub
	RGB 2 (analog)	5 BNC (RGB/HV) (common use with 5BNC Y/Pb/Pr input, selectable)
	RGB 3 (digital)	24-pin DVI-D HDCP (EIA/CEA-861-A) compatible
	Video 1	Composite BNC x 1
	Video 2	Composite RCA x 2
	Video 3	S-Video 4-Pin DIN
	HD Video 1	1 set RCA Component (Y,Pb,Pr/Y,Cb,Cr)
	HD Video 2	1 set BNC Component (Y,Pb,Pr/Y,Cb,Cr) (common use with 5BNC Y/Pb/Pr)
	Audio	3 sets RCA stereo + external speaker jacks
Audio	Internal amplifier, 8W x 2 output power	
External Control	RS232, IR	
Power Requirements	120V 50/60 Hz	
Power Consumption	270W Typical, 4.6 Amp Maximum	
Standby Power	0.9W	
Dimensions (WxHxD)	40.1 x 24.0 x 3.5 in, 1018 x 610 x 89mm	
Weight	63.0 lbs., 28.5 kg	
Regulations	Regulatory FCC Class B, UL6500, CSA60065	
Fan Noise	Fanless	
Environmental Considerations	Operating Temperature	32 - 104 degrees F (0 - 40 degrees C)
	Operating Humidity	20 - 80%
	Operating Altitude	0 - 9180 feet (0 - 2800m)
	Storage Temperature	14 - 122 degrees F (-10 - 50 degrees C)
	Storage Humidity	10 - 90%
	Storage Altitude	0 to 9840 feet (0 - 3000m)
Warranty	3 Years Parts & Labor/1 year plasma module	
Included Accessories	AC Power Cord, User Manual, Remote Control, Batteries, Cable Clamps	

### OPTIONAL ACCESSORIES

Tabletop Stand	PX-ST1U/S
Attachable Speakers	PX-42SP1U/S
Input Terminal Cover	PX-CV2U
Stand Plug	PX-PL1U
Fixed/Tilt Wall Mount	4250WMK
Ceiling Mount	CMK

### ADDITIONAL FEATURES

Advanced AccuBlend	Ensures detailed images when non-native resolution sources are connected to the projector.
Phosphor Protection	6 modes - A comprehensive set of built-in modes protects your screen from image retention.
Mass Area Superior Sampling (MASS)	Eliminates jagged lines, removes color separation and smoothes diagonal lines for crystal clear and defines sharp images.
Capsulated Color Filter™ (CCF) technology	CCF delivers realistic color reproduction creating the greatest color space when plotted on the C.I.E. Chromaticity chart.
AccuCrimson™ Filter technology	Further enhances the effects of the CCF producing better reds and greens.
Color Tune Technology	Adjust individual colors without affecting white balance.
Gamma 12	Provides the highest color processing in a plasma display at 68.7 billion colors (4096 steps) resulting in increased detail never seen before... no matter what the viewing environment!
Closed captioning	Yes



For more information, call 1.800.NEC.INFO  
or visit [www.necvisualsystems.com](http://www.necvisualsystems.com)

NEC is a registered trademark of NEC Corporation.  
All other trademarks are the property of their respective owners.  
All specifications subject to change without notice.

NEC Solutions (America), Inc.  
Visual Systems Division  
1250 Arlington Heights Rd., Suite 400  
Itasca, IL 60143-1248

Because It's your Image

**NEC**

Empowered by Innovation