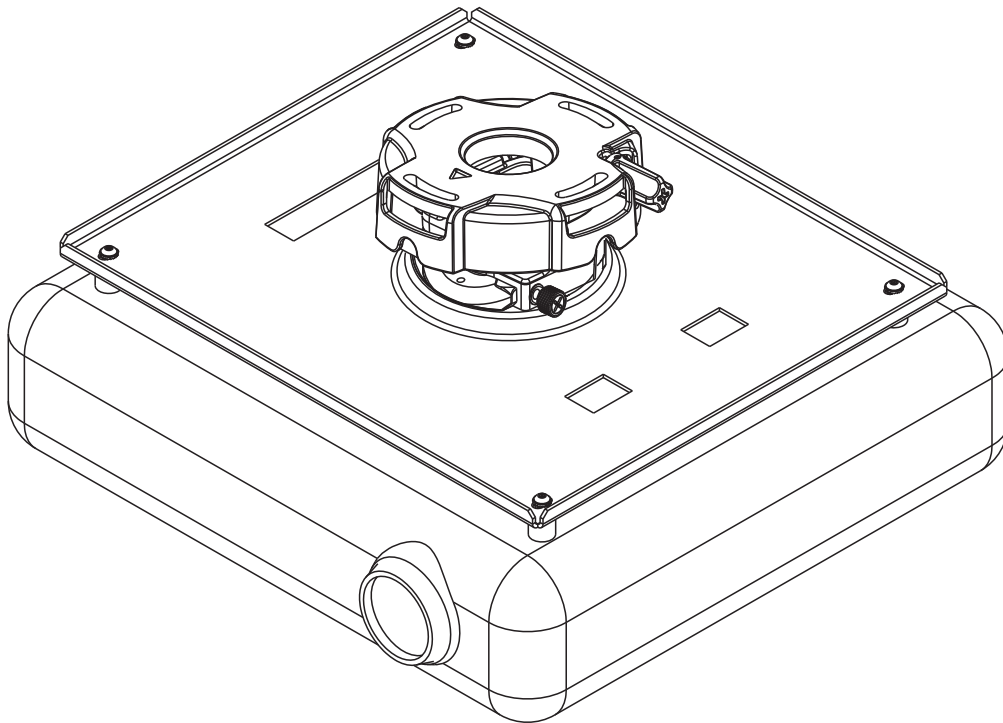




NEC Display Solutions of America, Inc.

Installation and Assembly - Ceiling Mount for NEC
NP1150, NP2150, NP3150, NP3151W, NP1250, NP2250,
NP3250 and NP3250W Projector

Model: NP3250CM



Maximum Load Capacity: 50 lb (22.7 kg)

Features:

- ImageLock™ alignment prevents picture sag or drift
- Wrench access slot for easier flush mount installations
- Exclusive aluminum track quick release

NOTE: Read entire instruction sheet before you start installation and assembly.

WARNING

- Do not begin to install your Peerless product until you have read and understood the instructions and warnings contained in this Installation Sheet. If you have any questions regarding any of the instructions or warnings, call Peerless customer care at 1-800-729-0307.
- This product should only be installed by someone of good mechanical aptitude, has experience with basic building construction, and fully understands these instructions.
- Make sure that the supporting surface will safely support the combined load of the equipment and all attached hardware and components.
- Never exceed the Maximum Load Capacity.
- Always use an assistant or mechanical lifting equipment to safely lift and position equipment.
- Tighten screws firmly, but do not overtighten. Overtightening can damage the items, greatly reducing their holding power. See suggested torque values where applicable within these instructions.
- This product is intended for indoor use only. Use of this product outdoors could lead to product failure and personal injury.

CAUTION

- It is the responsibility of the installer to ensure that the projector is properly ventilated.

Tools Needed for Assembly

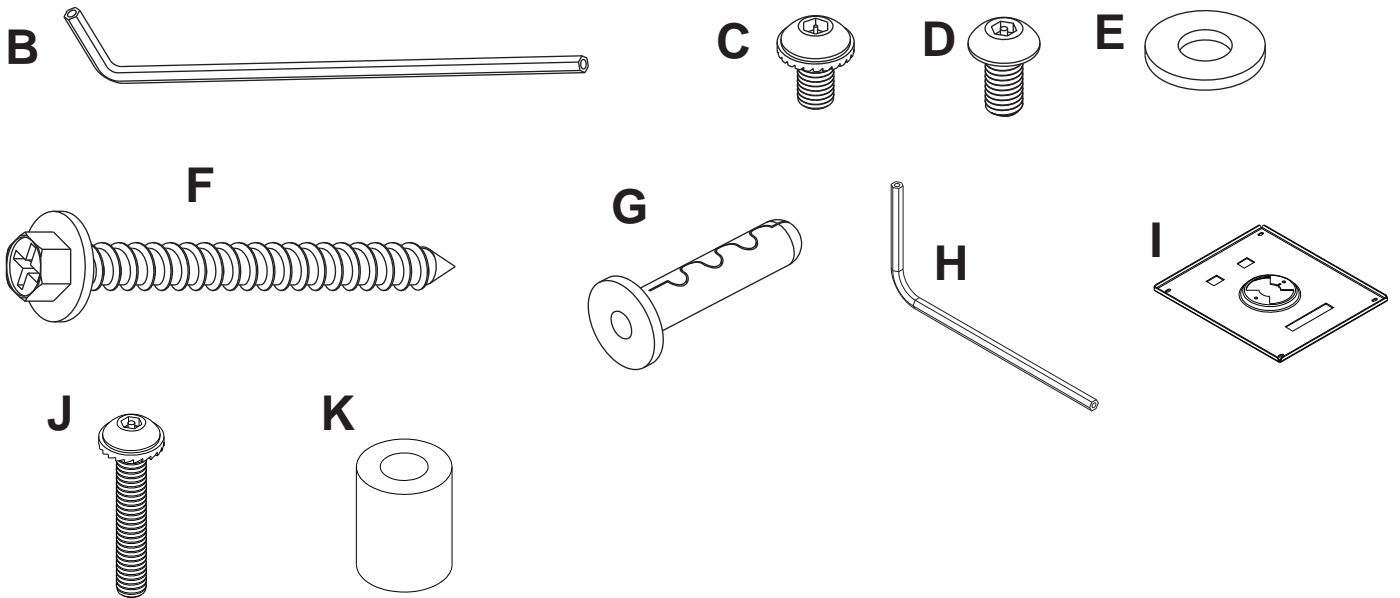
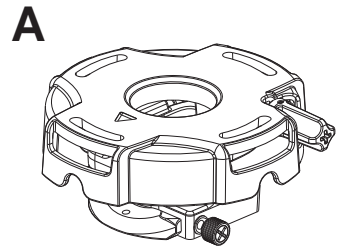
- stud finder ("edge to edge" stud finder is recommended)
- phillips screwdriver
- drill
- 1/4" bit for concrete surface
- 5/32" bit for wood studs
- open end wrench
- level

Table of Contents

Parts List	3
Installation to Wood Joist Ceilings	4
Installation to Concrete Ceilings	5
Installation to Threaded Rods	6
Installation to Extension Columns / Ceiling Plate	7
Attaching Adapter Plate to Projector	8
Projector Alignment	9

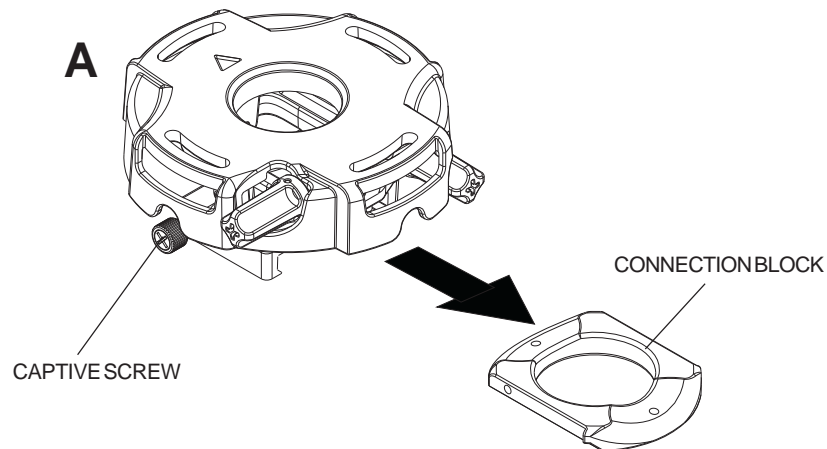
Parts List

Description	Qty.	Part #
A projector mount assembly	1	055-2803
B 4 mm security allen wrench	1	560-9646
C #10-32 x 3/8" serrated washer head socket pin screw	2	520-2151
D #10-32 x 1/4" socket pin screw	1	520-2196
E flat washer	2	540-1078
F #14 x 2.5 phillips hex head wood screw	2	5S1-015-C04
G concrete anchor	2	590-0097
H 2 mm security allen wrench	1	560-1097
I adapter plate	1	055-2665
J M4 x 25 mm serrated socket pin screw	4	510-2082
K spacer	4	590-2106



Note: Actual parts may appear slightly different than illustrated.

- 1 Disengage connection block from projector mount assembly (A) by unscrewing captive screw and sliding out connection block as shown.



Accessories listed in the included sheet, as well as other parts, can be ordered through Peerless by calling 1-800-729-0307 or visiting www.peerlessmounts.com.

Installation To Wood Joist Ceilings

⚠ WARNING

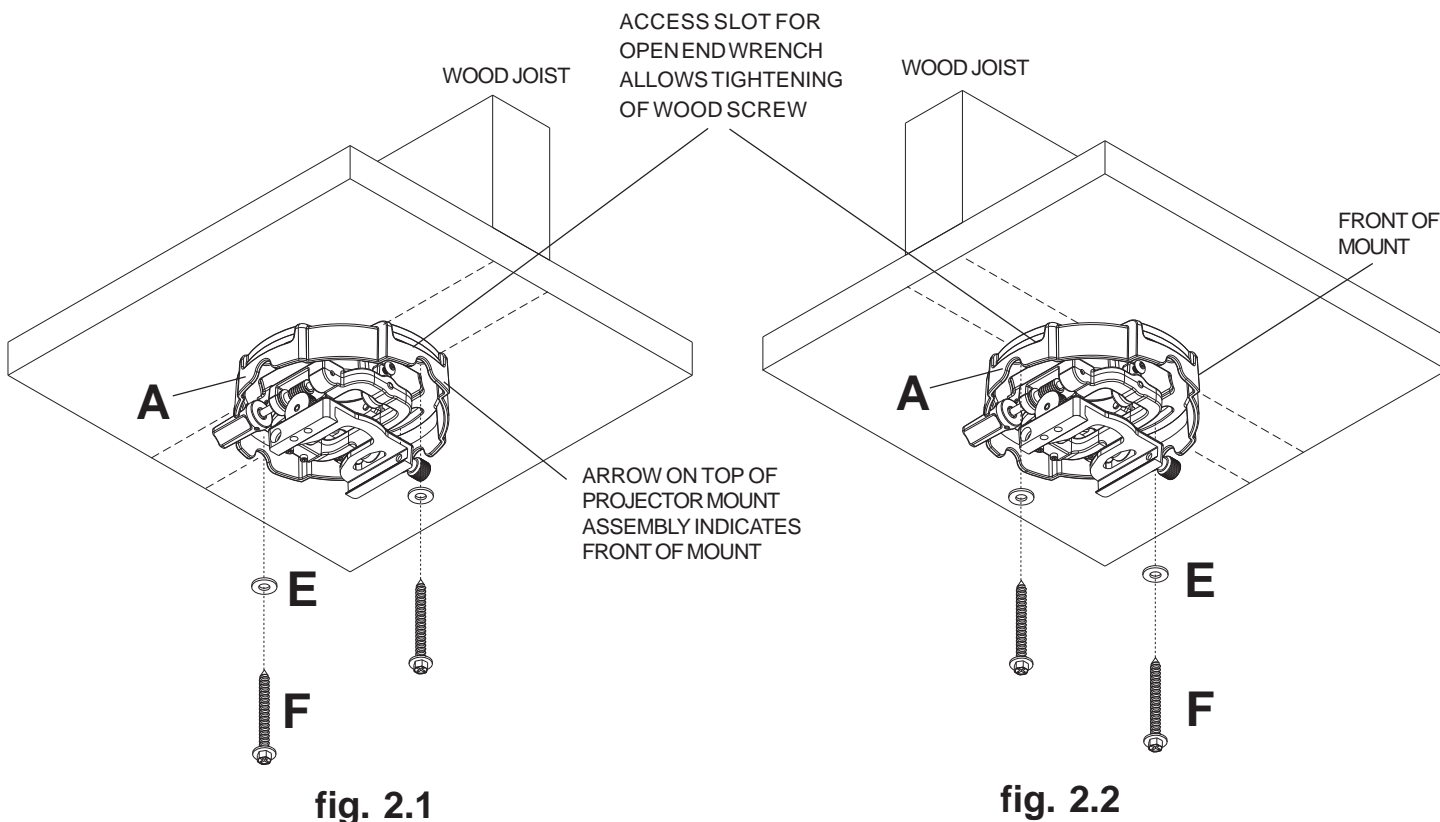
- Installer must verify that the supporting surface will safely support the combined load of the equipment and all attached hardware and components.
- Tighten wood screws so that projector mount assembly is firmly attached, but do not overtighten. Overtightening can damage the screws, greatly reducing their holding power.
- Never tighten in excess of 80 in. • lb (9 N.M.).
- Make sure that mounting screws are anchored into the center of the stud. The use of an "edge to edge" stud finder is highly recommended.
- Hardware provided is for attachment of mount through standard thickness drywall or plaster into wood studs. Installers are responsible to provide hardware for other types of mounting situations (not UL approved).

- 2** Place projector mount assembly (A) on ceiling as a template and mark the center of the two mounting holes. Make sure that the mounting holes are in the center of the wood joist. Drill two 5/32" (4 mm) dia. holes to a minimum depth of 2.5" (64 mm). Attach projector mount assembly (A) with two #14 x 2.5" (6 mm x 65 mm) wood screws (F) and two flat washers (E) as shown in **figure 2.1** or **figure 2.2** depending on joist orientation.

Note: Mounting slots on projector mount assembly allow for 30° (±15°) of swivel adjustment before fully securing wood screws.

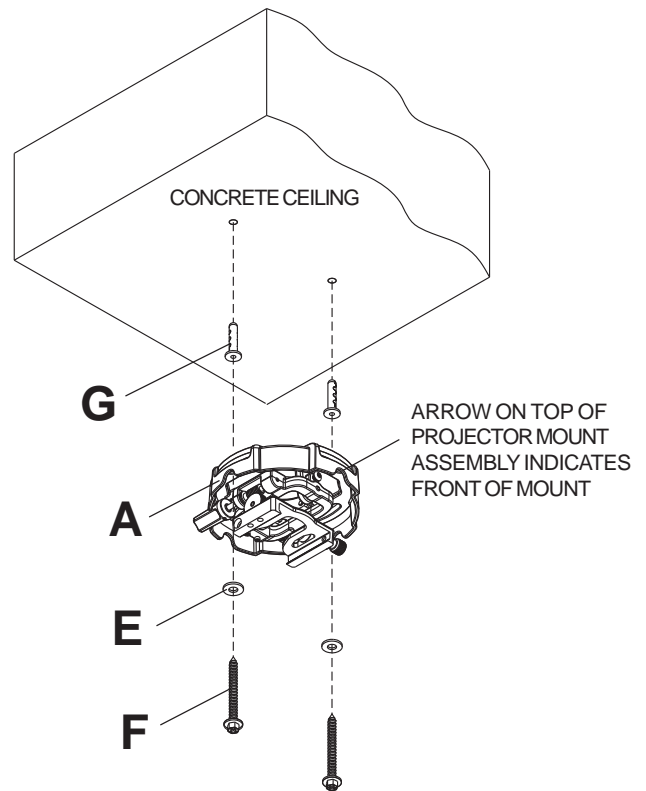
Tighten wood screws (F) using 3/8" (10 mm) socket wrench, phillips screwdriver or 10mm open end wrench until projector mount assembly (A) is firmly attached.

Skip to step 6.



Installation to Concrete Ceilings

3 Drill two 1/4" (6 mm) dia. holes to a minimum depth of 2.5" (64 mm). Attach projector mount assembly (**A**) using two concrete anchors (**G**), two flat washers (**E**), and two #14 x 2.5" wood screws (**F**) as shown in **Illustration A** and **1, 2, and 3** (below). Tighten wood screws (**F**) using 3/8" (10 mm) socket wrench until projector mount assembly (**A**) is firmly attached.



⚠ WARNING

- Tighten wood screws firmly, but do not overtighten. Overtightening can damage the screws, greatly reducing their holding power.
- Never tighten in excess of 80 in • lb (9 N.M.).

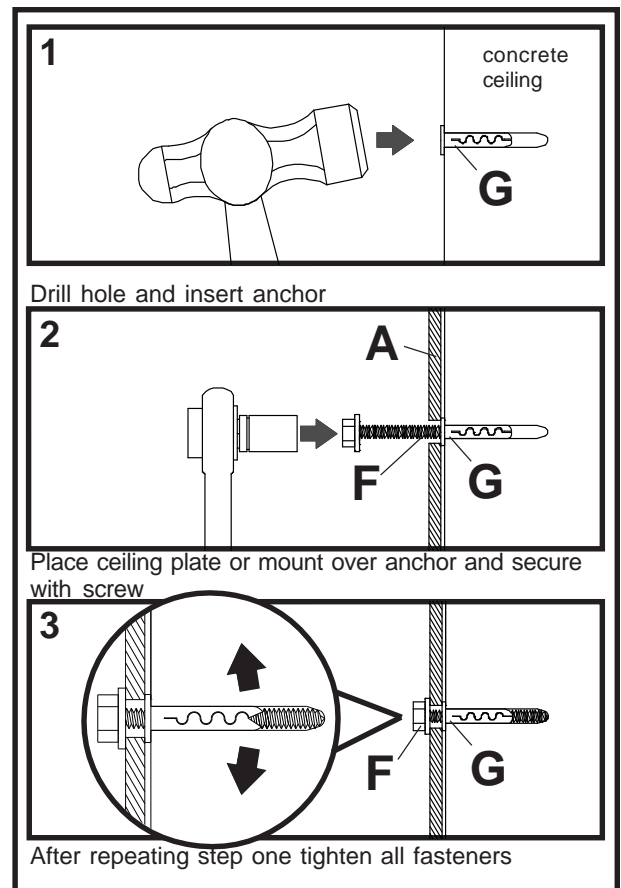
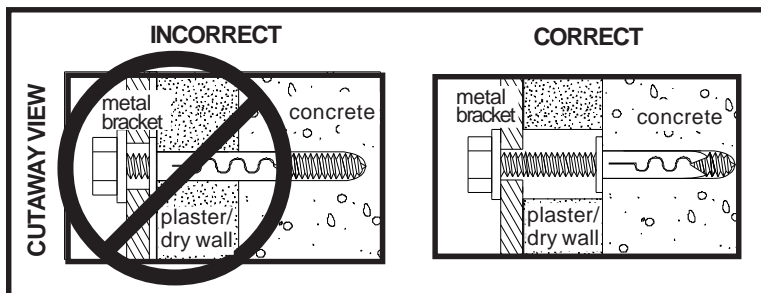
⚠ WARNING

- Installer must verify that the wall will safely support four times the combined weight of all attached equipment and hardware.

Skip to step 6.

⚠ WARNING

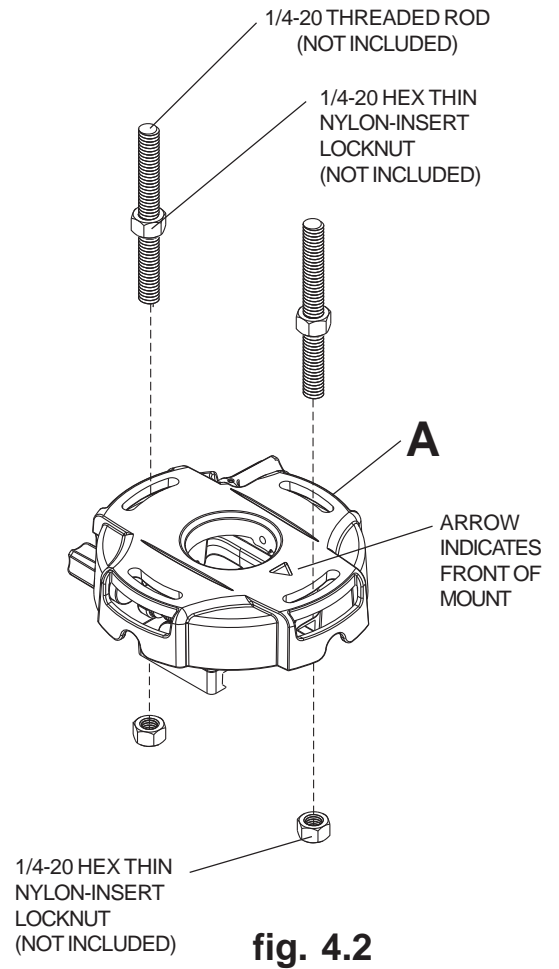
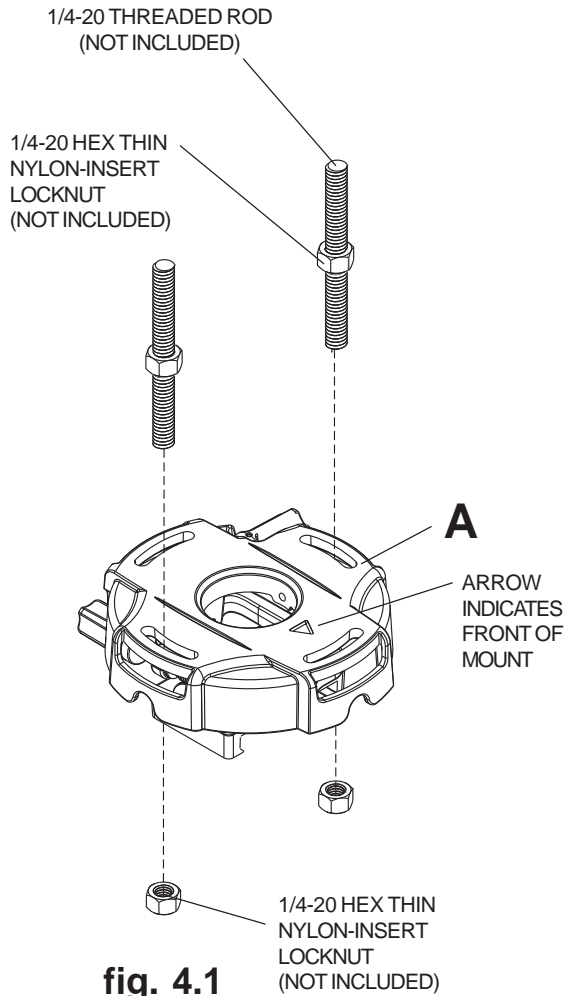
- Concrete anchors are **not** intended for attachment to concrete ceiling covered with a layer of plaster, drywall, or other finishing material. If mounting to concrete ceiling covered with plaster/drywall is unavoidable, plaster/drywall (up to 5/8" thick) must be counterbored as shown below. If plaster/drywall is thicker than 5/8", custom fasteners must be supplied by installer.



Installation to Threaded Rod

(Not evaluated by UL - Professional installation only)

- 4 Thread two 1/4-20 hex thin nylon-insert locknuts (not included) on two 1/4-20 threaded rods (not included) to the desired height of projector mount assembly. Attach projector mount assembly (A) to the two 1/4-20 threaded rods using two 1/4-20 hex thin nylon-insert locknuts as shown in figure 4.1 or figure 4.2.



Installation to Extension Column / Ceiling Plate

5 **NOTE:** Refer to accompanying instructions with ceiling plates (sold separately) for installing these models to ceiling.

Screw projector mount assembly (A) onto extension column as shown in **figure 5.1**.

NOTE: For 3/4" extension columns, reducer ACC 913 will be required as shown in **figure 5.2**. Tighten swivel stop screw against extension column, flush mount tube or reducer using 4 mm security allen wrench (B) as shown in **figure 5.3**.

NOTE: Swivel stop screw is used to jam against threads of extension column, flush mount tube or reducer to prevent any excess movement of projector mount assembly (A). Do not overtighten screw; overtightening screw will damage threads making it difficult to separate products.

Skip to step 6.

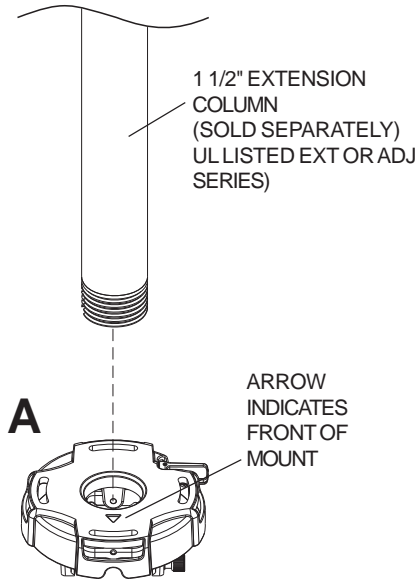


fig. 5.1

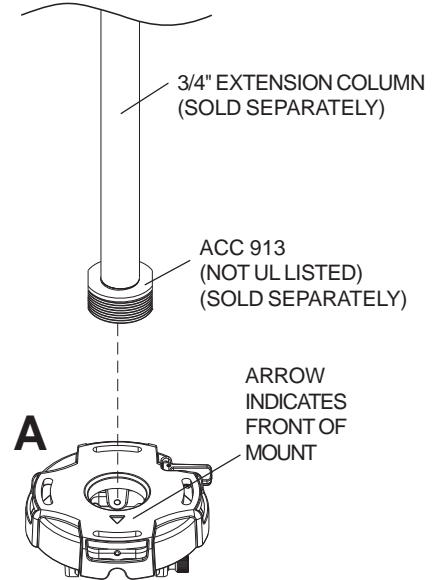


fig. 5.2

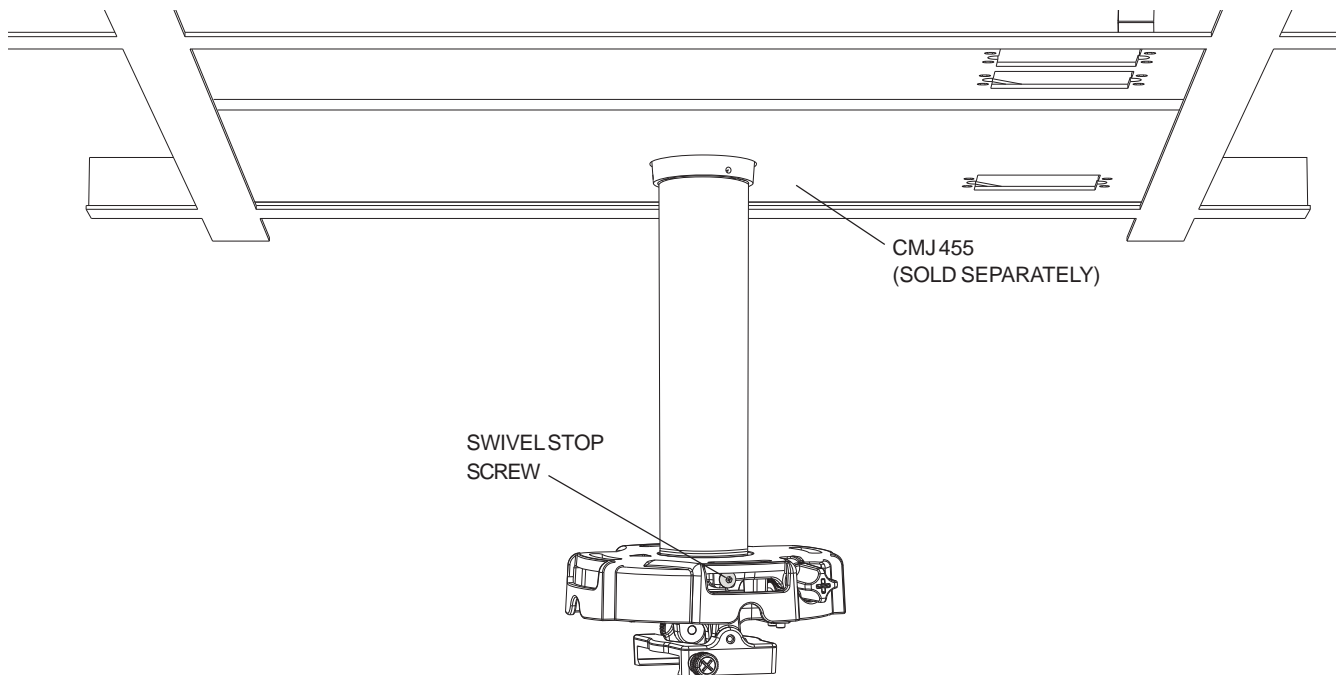
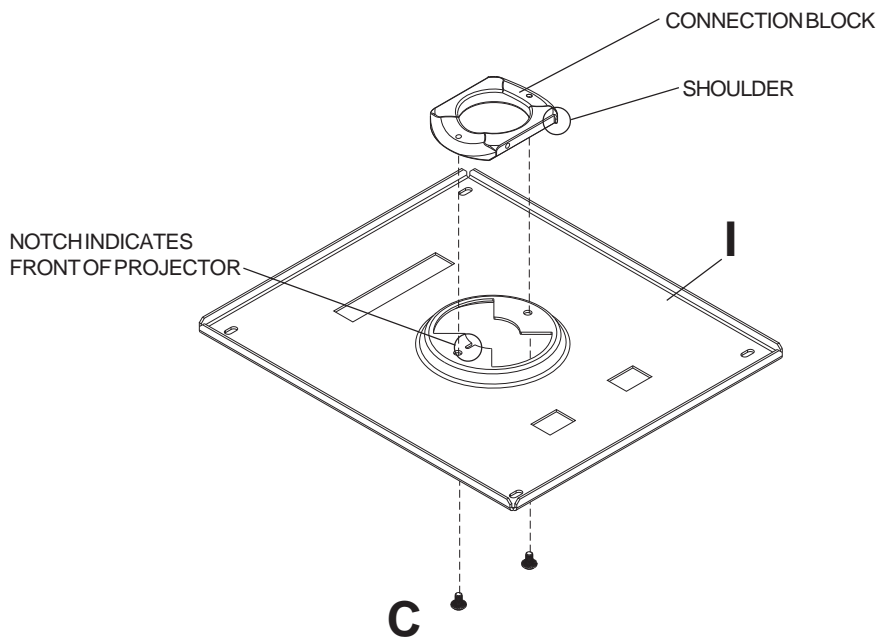
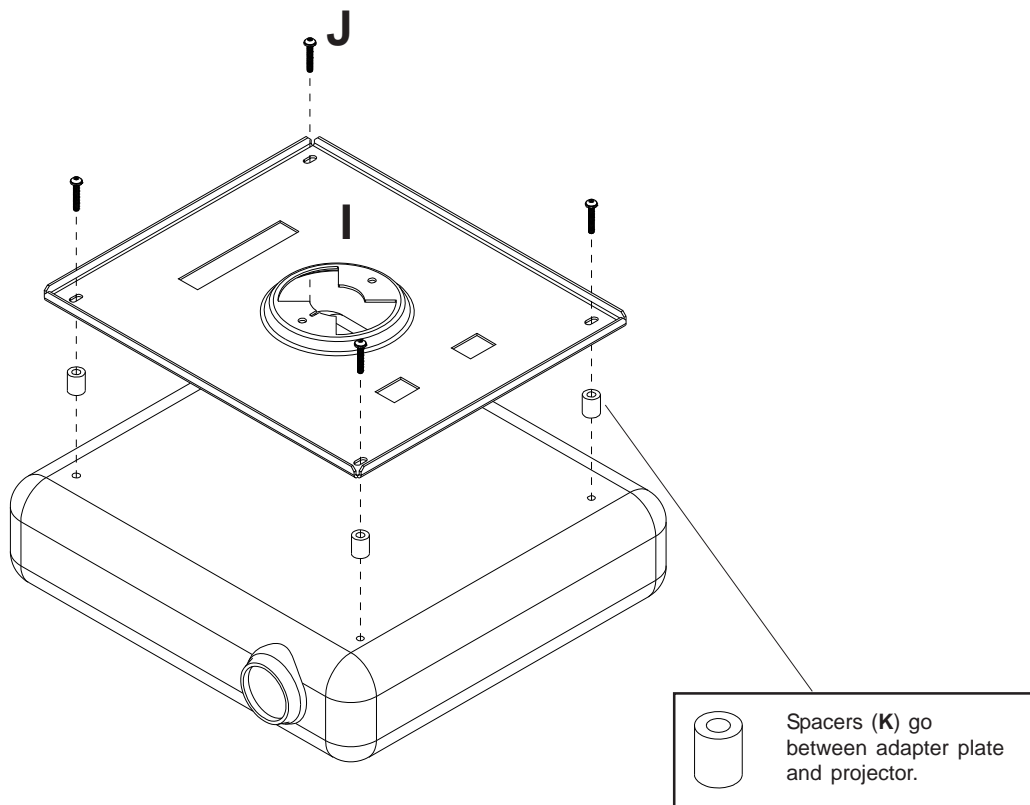


fig. 5.3

- 6 Align shoulder on connection block opposite notch in adapter plate. Attach adapter plate (I) to connection block from projector mount assembly (A) using two #10-32 x 3/8" serrated washer head socket pin screws (C) as shown.



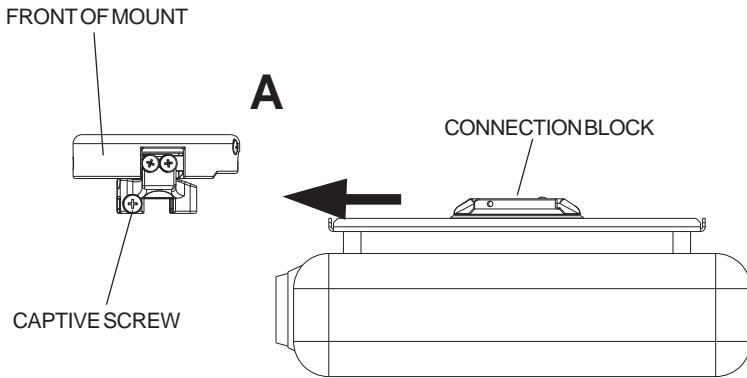
- 7 **Note:** The projector you are installing may differ in appearance from the sample illustrated below.
 *Notch indicates front of projector.
 Flip projector upside down. Fasten adapter plate (I) by using four spacers (K) and four M4 x 25 mm serrated socket pin screws (J) as shown below. Tighten M4 x 25 mm serrated socket pin screws (J) using 4 mm allen wrench (B).



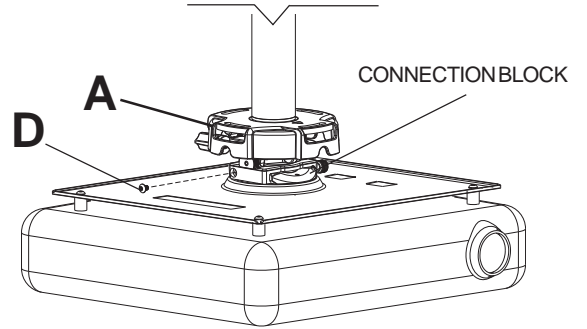
⚠ WARNING

- Always use an assistant or mechanical lifting equipment to safely lift and position the projector mount.

8 Slide connection block with projector into projector mount assembly (A) as shown. Tighten captive screw to secure projector to projector mount assembly (A).



9 IMPORTANT: For security installations, insert one #10-32 x 1/4" socket pin screw (D) through projector mount assembly (A) and into connection block as shown.



Projector Alignment

10 To adjust yaw (swivel) for threaded rod mounting applications: Loosen locknuts on threaded rods (step 5), until projector mount can be rotated. Rotate mount to desired position and retighten locknuts.

To adjust yaw (swivel) for extension column applications: Loosen screw on projector mount assembly (A) indicated below until projector mount can be rotated. Rotate mount to desired position and retighten screw.

To adjust pitch (forward and backward tilt): Turn knob on back of mount as shown below. Pull knob out and turn by hand for easy adjustment or insert #2 phillips screwdriver in end of knob and turn.

To adjust roll (side to side tilt): Turn knob on side of mount as shown below. Pull knob out and turn by hand for easy adjustment or insert #2 phillips screwdriver in end of knob and turn.

